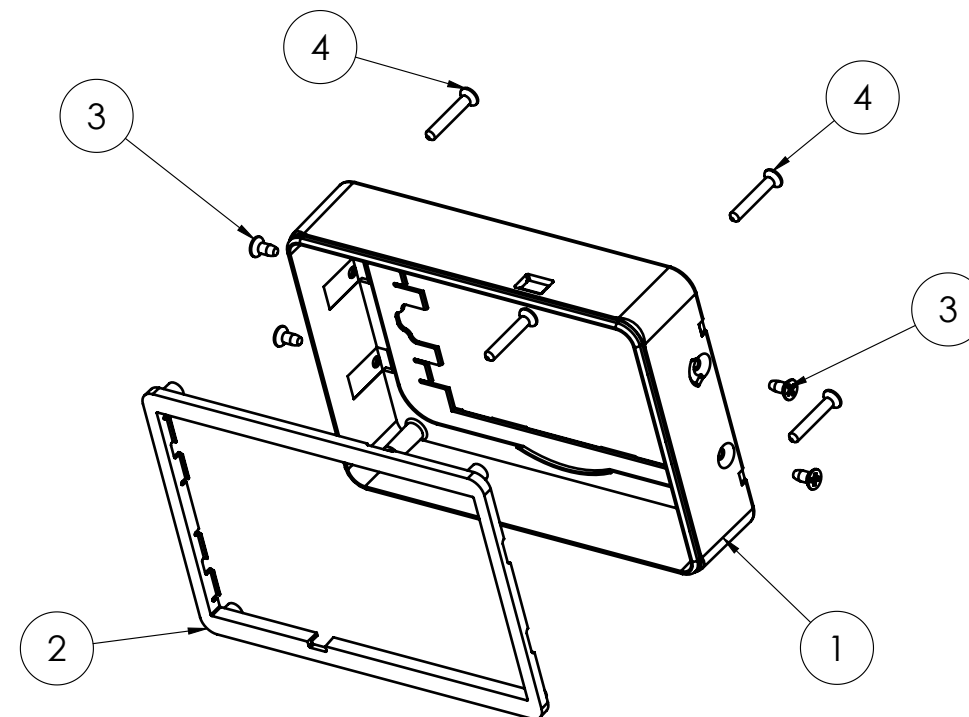
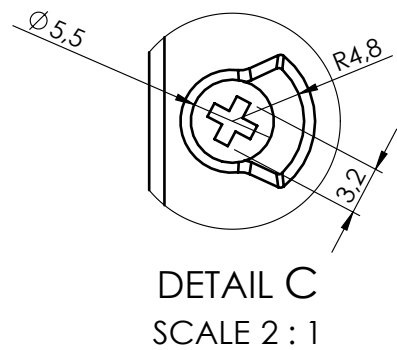
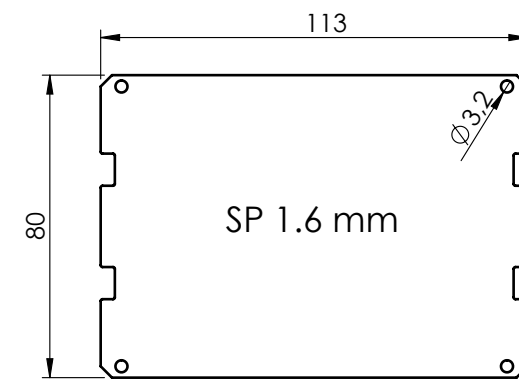
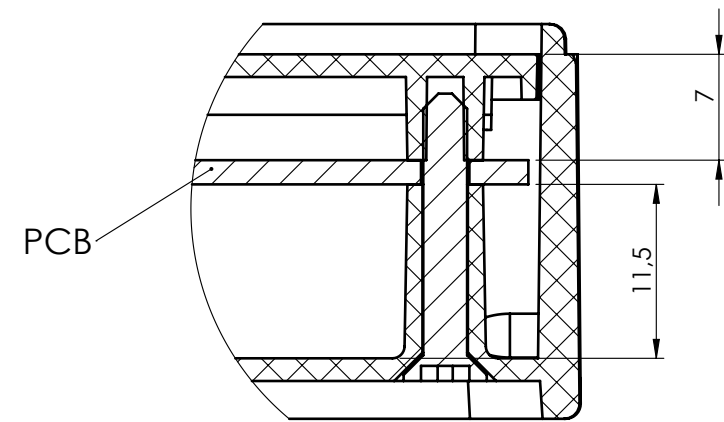


SECTION B-B



RECOMMENDED ADHESIVE 3M VHB 9473 PC TRANSPARENT (P140000T5A)

| Revisions | | | |
|-----------|-----------------------|------------|---------|
| Rev. | Description | Date | Mod. by |
| 1 | aggiunto nota adesivo | 12/06/2023 | M.S. |



PCB
SCALE 1 : 2

| RIF. | Q.TY | DRAWING | DESCRIPTION |
|------|------|-------------|---|
| 1 | 1 | 2_010_00055 | BASE 80X120 H25 STANDARD TURRET 11.5 MM |
| 2 | 1 | 2_010_00044 | ITOUCH INTERNAL FRAME H10-H15 |
| 3 | 4 | 8_100_00025 | SCREW d 2,9 x 6,5 TS+ |
| 4 | 4 | 8_100_00044 | SCREW d 2,9 x 19 TS+ |

| | | | | | |
|--|---|-----------------------|-------------------------|--------------------------|------------------|
| General Tolerance UNI EN 22768/1 Media (m) | | | | | Sheet: |
| from 0.5 to 3 ± 0.1 | from 3 to 6 ± 0.1 | from 6 to 30 ± 0.2 | from 30 to 120 ± 0.3 | from 120 to 400 ± 0.5 | 1 |
| Scale: 1:1 | Drawed: R.N. | Checked: R.N. | Date: 11/03/2023 | Material: | Process: |
| Dimension in mm | The present drawing cannot be reproduced or communicated to 3rd parties, even partially, without the authorization of ITALTRONIC S.p.A. Italtronic reserves to protect its own rights according to the law. | | | Weight: gr | Cod. Mold: -- |

italtronic
enclosures for electronics
italtronic.com

Description:
KIT CONTENITORE ITOUCH H25
ITOUCH H25 ENCLOSURE KIT

Drawing nr.:
3_010_00022

Rev.:
01 A3