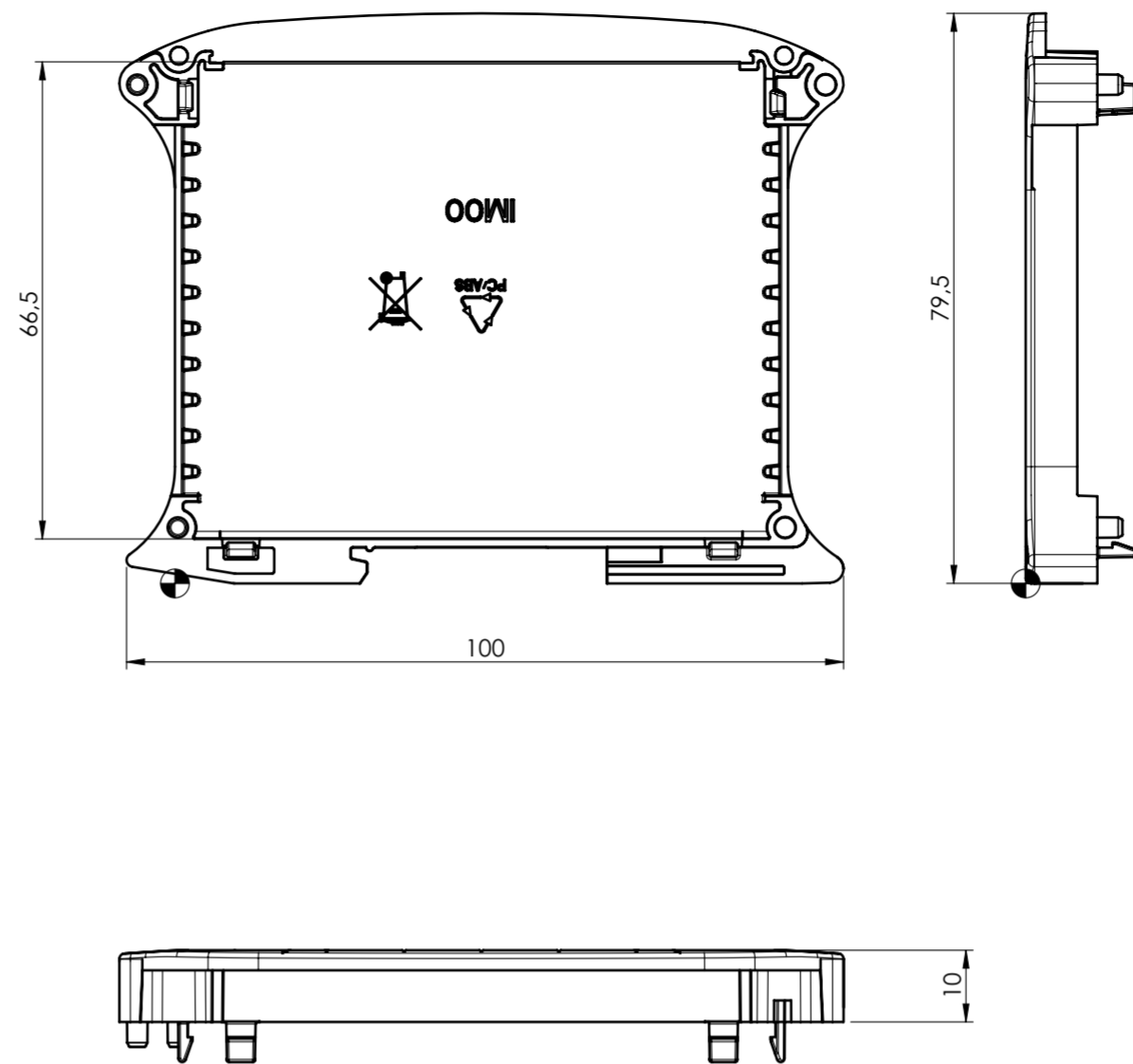
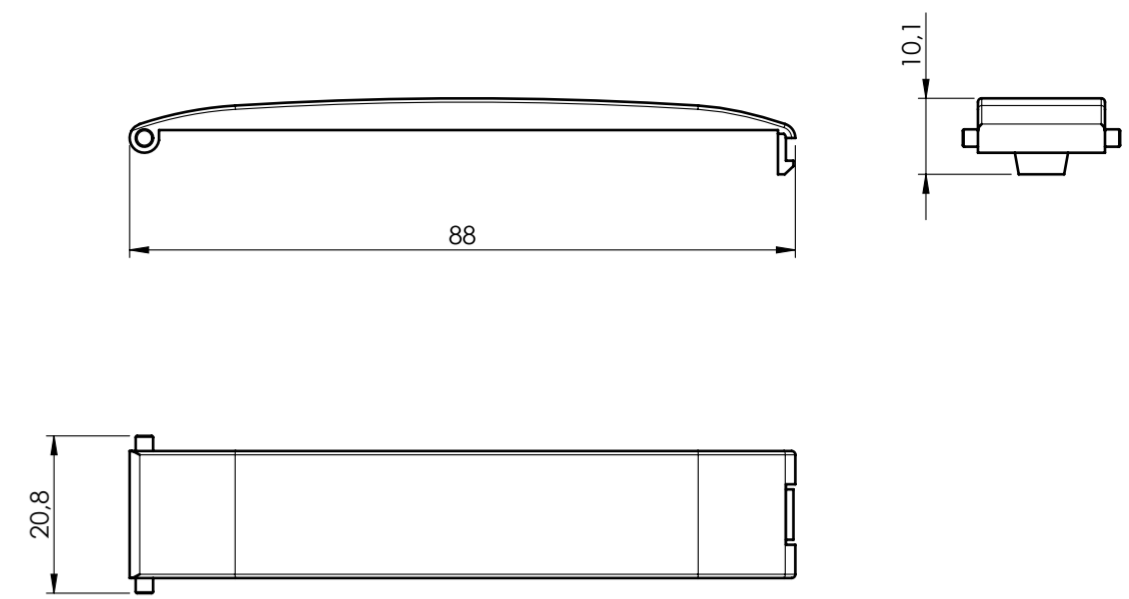


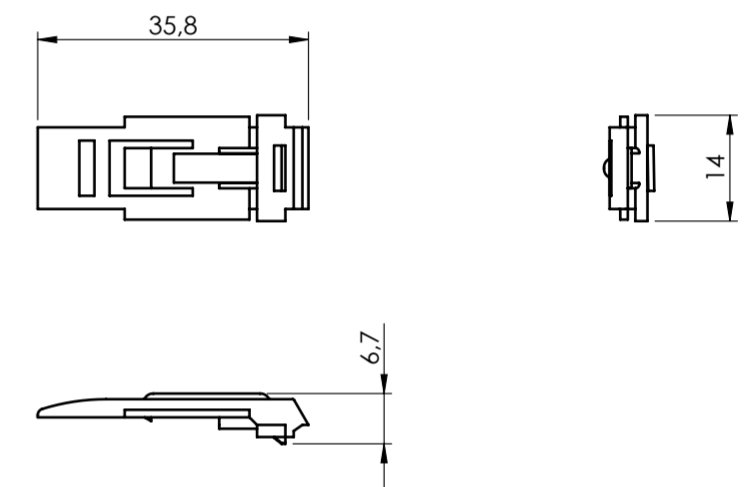
COVER



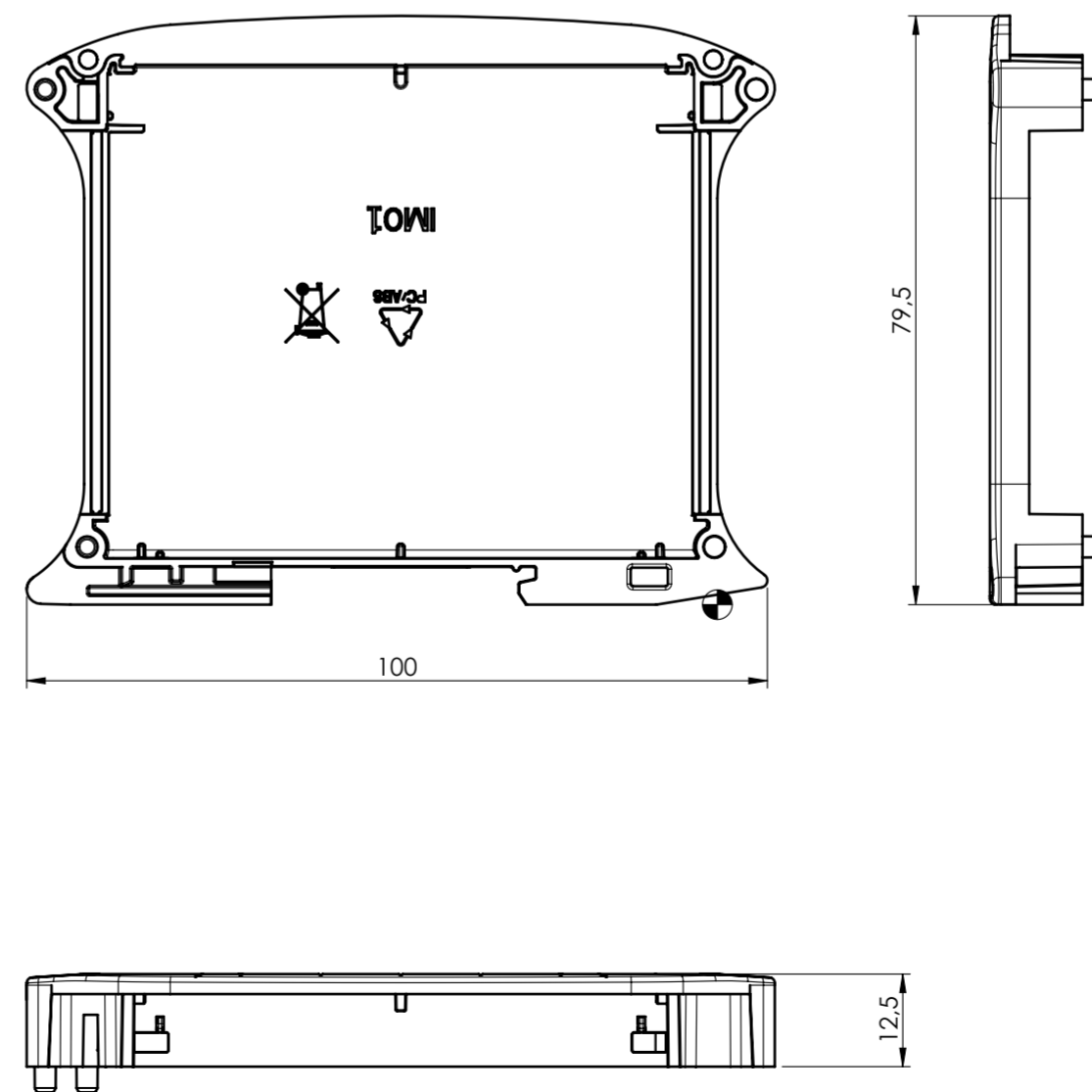
HINGED PANEL



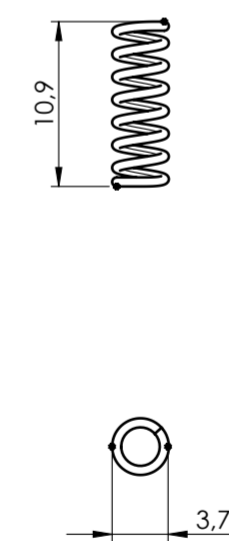
HOOK



BASE



SPRING SCALE 2:1



- General information:
- Workpiece zero point for mechanical processing
 - Minimum recommended radius for machining = R1.0 mm
 - Mounting rail like EN 60715: TH 35-7.5 or TH 35-15
 - Recommended PCB outline on www.italtronic.com

RIF.	Q.TY	DRAWING	DESCRIPTION
1	1	2_110_00125	COVER RAILBOX COMPACT 10 MM
2	1	2_110_00026	BASE RAILBOX COMPACT 12.5 MM
3	1	2_110_00072	FRONT HINGED TRANSPARENT PANEL 17 MM
4	1	2_110_00032	HOOK RAILBOX
5	1	2_110_00011	SPRING FOR HOOK RAILBOX

General Tolerance UNI EN 22768/1 Media (m)					Sheet:
from 0.5 to 3 ± 0.1	from 3 to 6 ± 0.1	from 6 to 30 ± 0.2	from 30 to 120 ± 0.3	from 120 to 400 ± 0.5	1
Scale:	Drawn:	Checked:	Date:	Material:	Process:
1:1	M.S.	R.N.	22/11/2023		
Dimension in mm	Derived from:	Weight:	Cod. Mold:		
	--	gr	--		

italtronic
enclosures for electronics
italtronic.com

Description:
KIT CONTENITORE RAILBOX COMPACT VERTICALE 22.5 MM
KIT ENCLOSURE RAILBOX VERTICAL COMPACT 22.5 MM

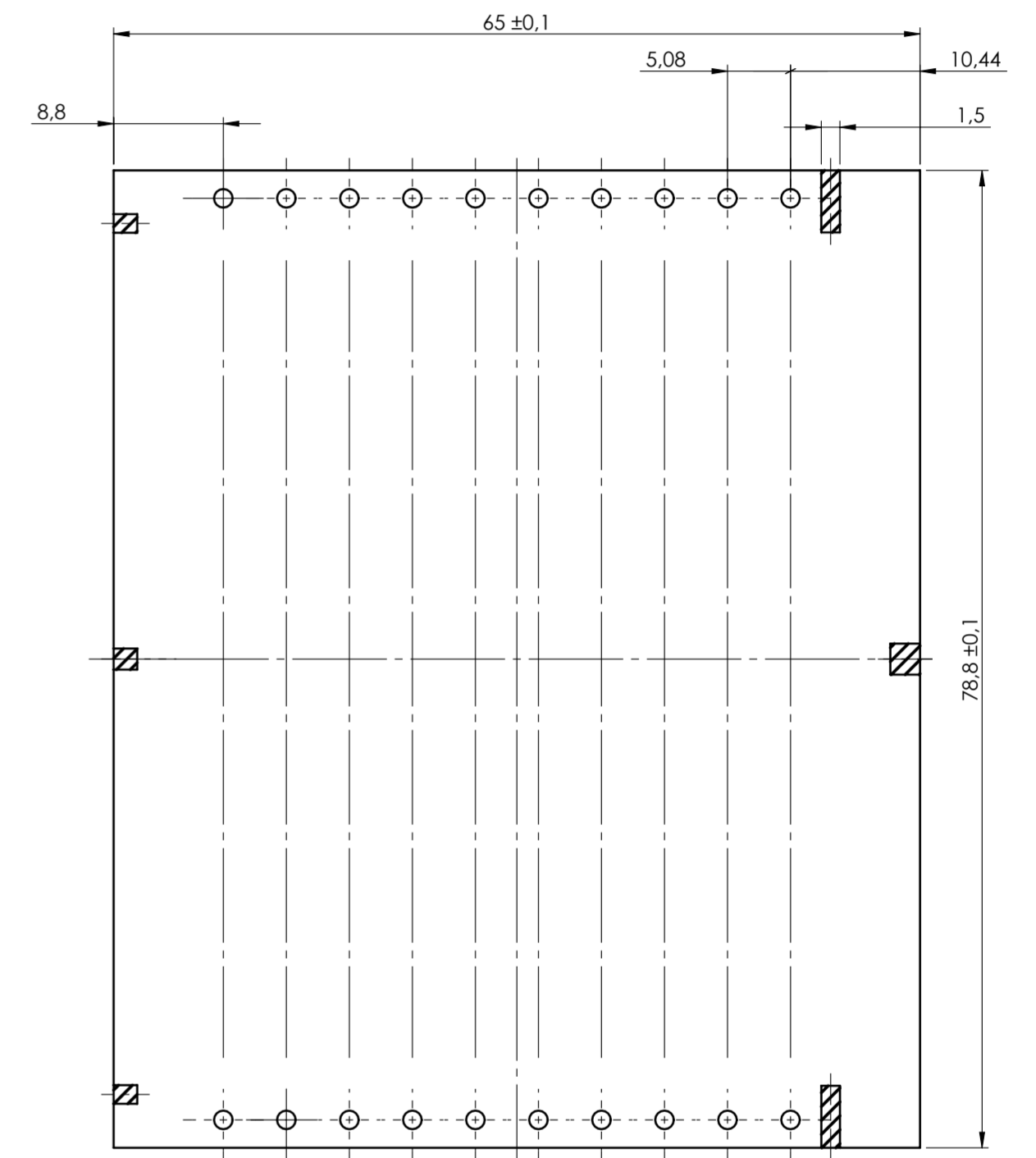
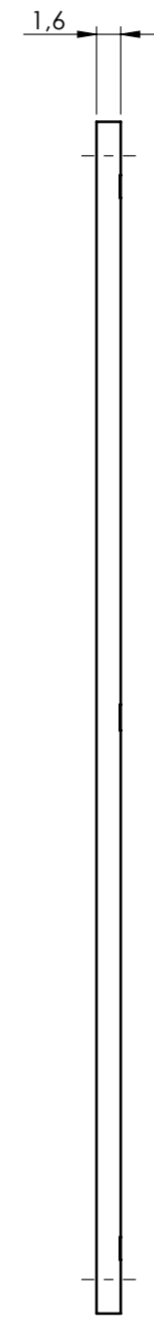
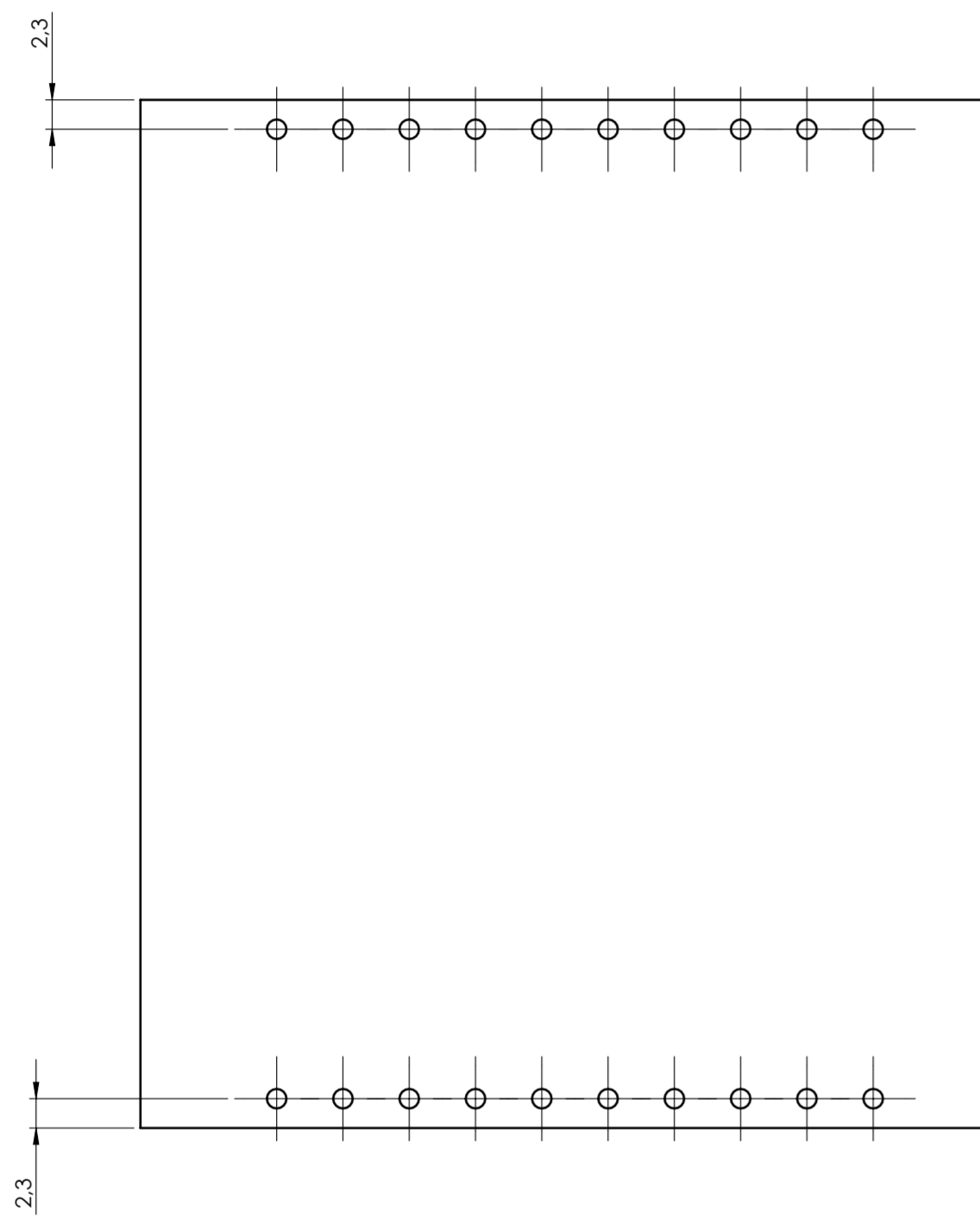
Drawing nr.: **3_110_00012**


Rev.: **00** **A2**

PCB

COMPONENT SIDE

SOLDER SIDE



General Tolerance UNI EN 22768/1 Media (m)					Sheet:
from 0.5 to 3 ± 0.1	from 3 to 6 ± 0.1	from 6 to 30 ± 0.2	from 30 to 120 ± 0.3	from 120 to 400 ± 0.5	PCB
Scale: 2:1	Drawn: M.S.	Checked: R.N.	Date: 22/11/2023	Material:	Process:
Dimension in mm	The present drawing cannot be reproduced or communicated to 3rd parties, even partially, without the authorization of Italtronic. Italtronic reserves the right to protect its copyrights according to the law.		Derived from: --	Weight: gr	Cod. Mold: --
 enclosures for electronics italtronic.com			Description: KIT CONTENITORE RAILBOX COMPACT VERTICAL 22.5 MM KIT ENCLOSURE RAILBOX VERTICAL COMPACT 22.5 MM Drawing nr.: 3_110_00012		Rev.: 00
					A2