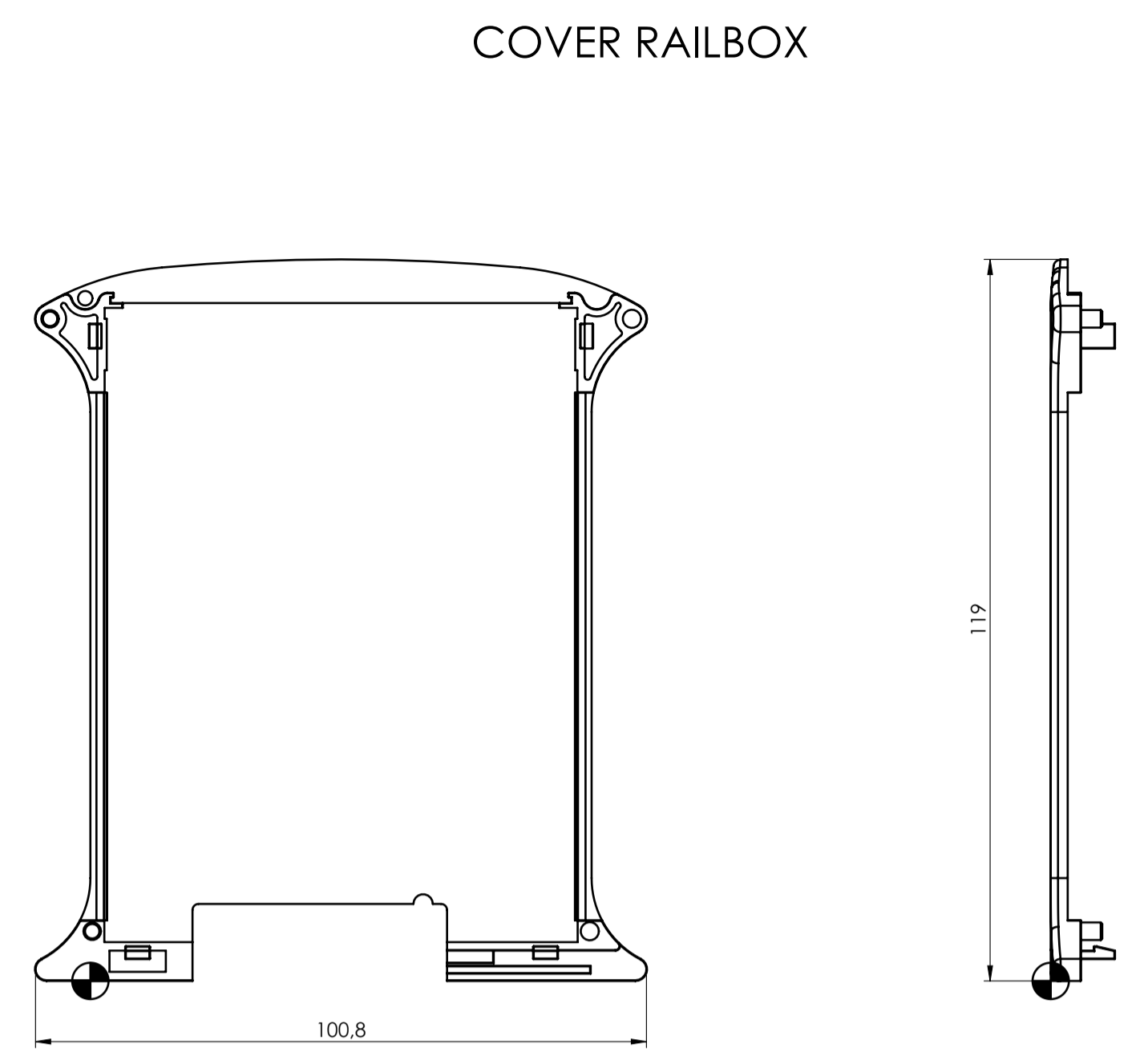
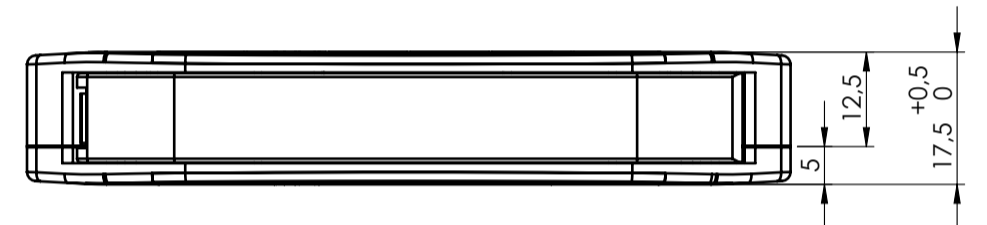
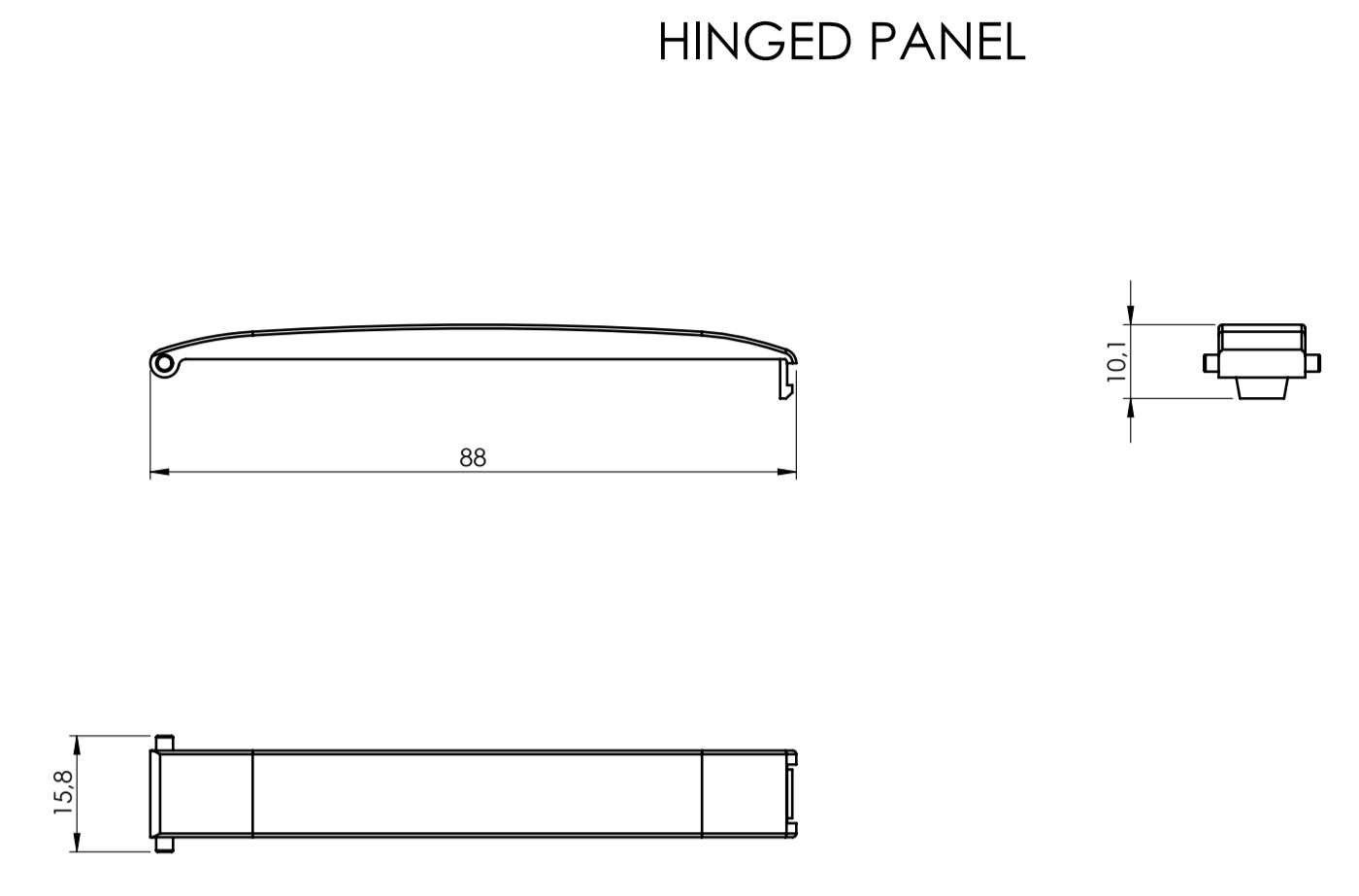


SECTION A-A



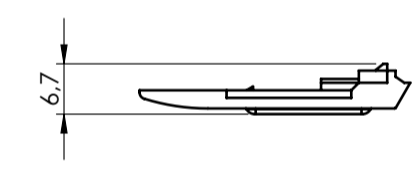
COVER RAILBOX



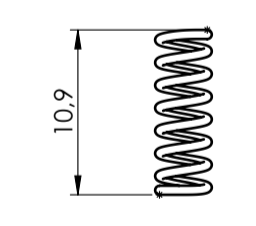
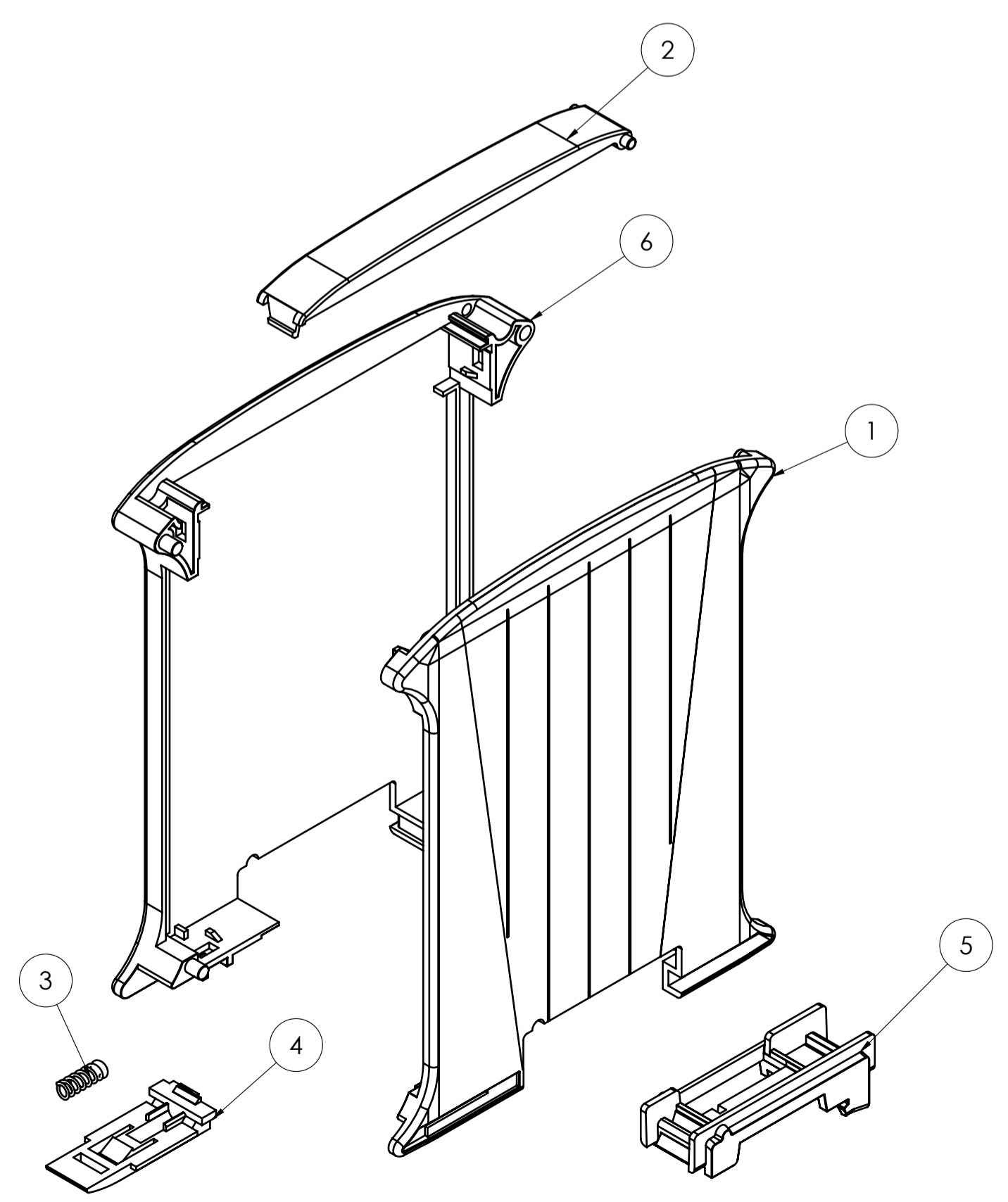
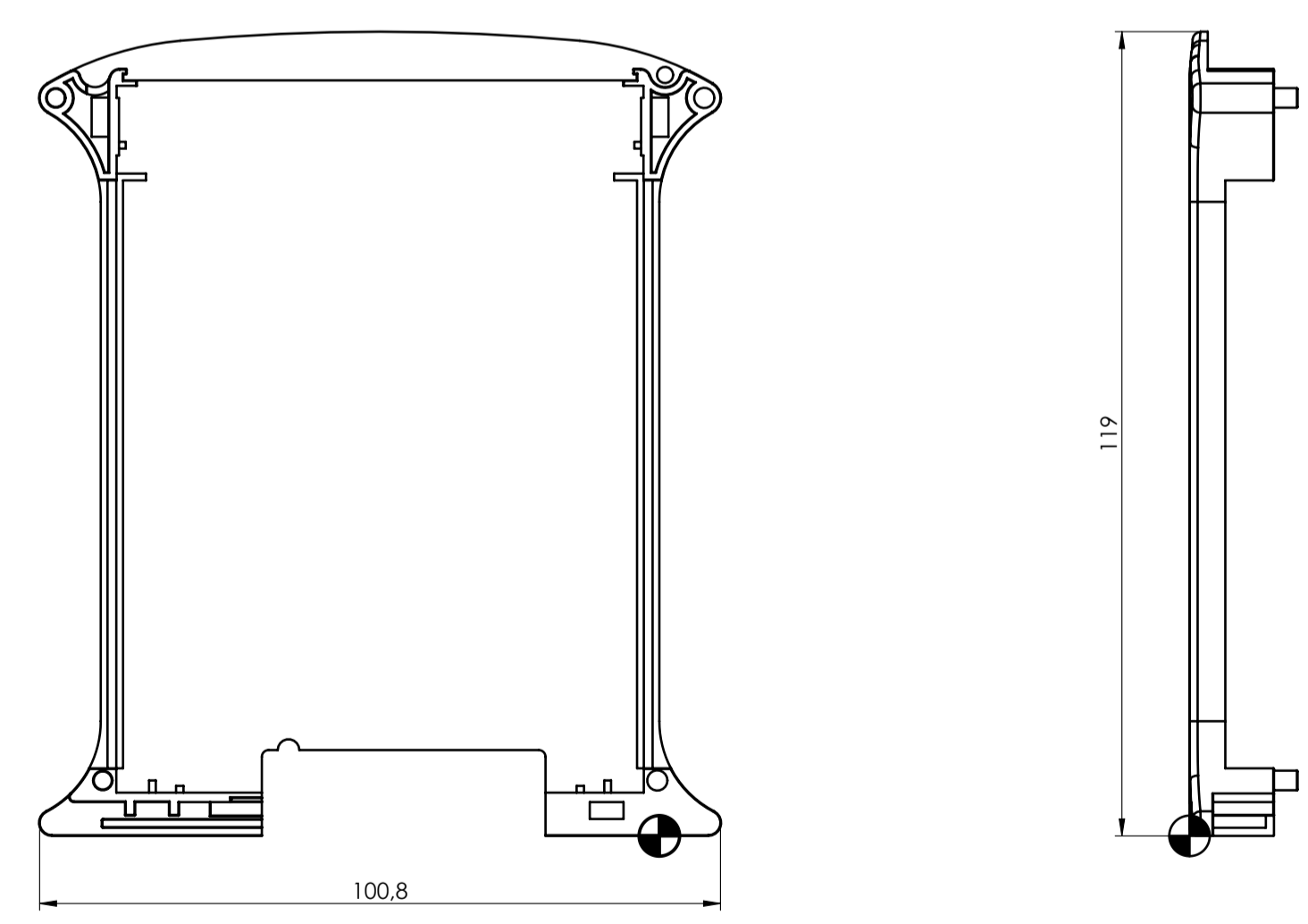
HINGED PANEL



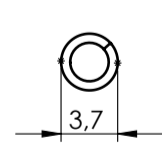
HOOK



BASE RAILBOX



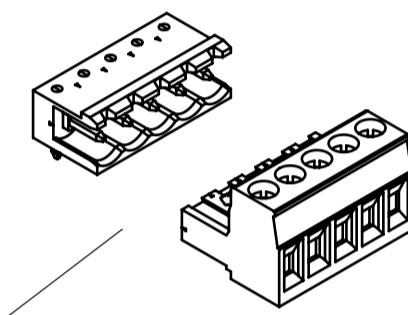
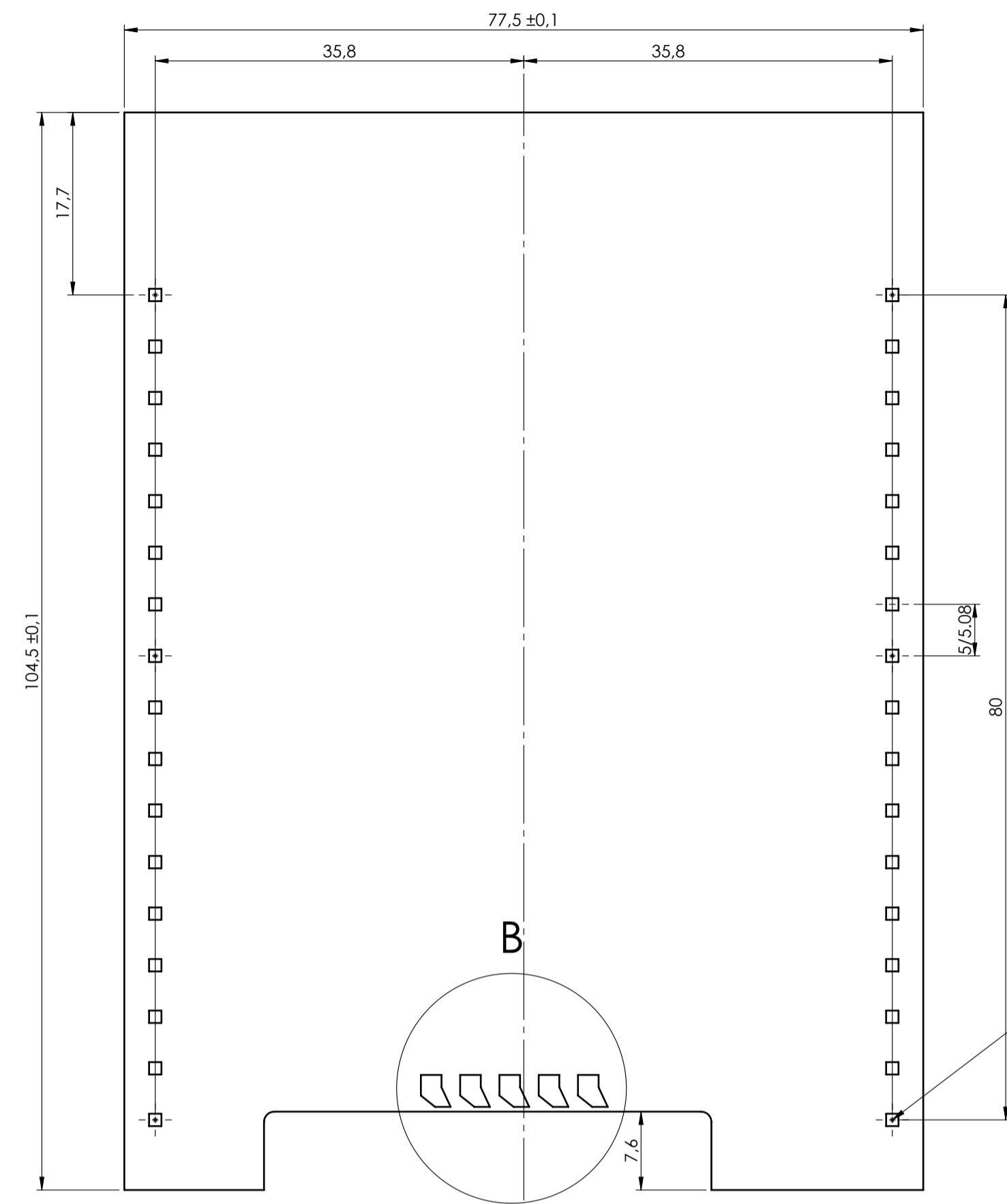
SPRING



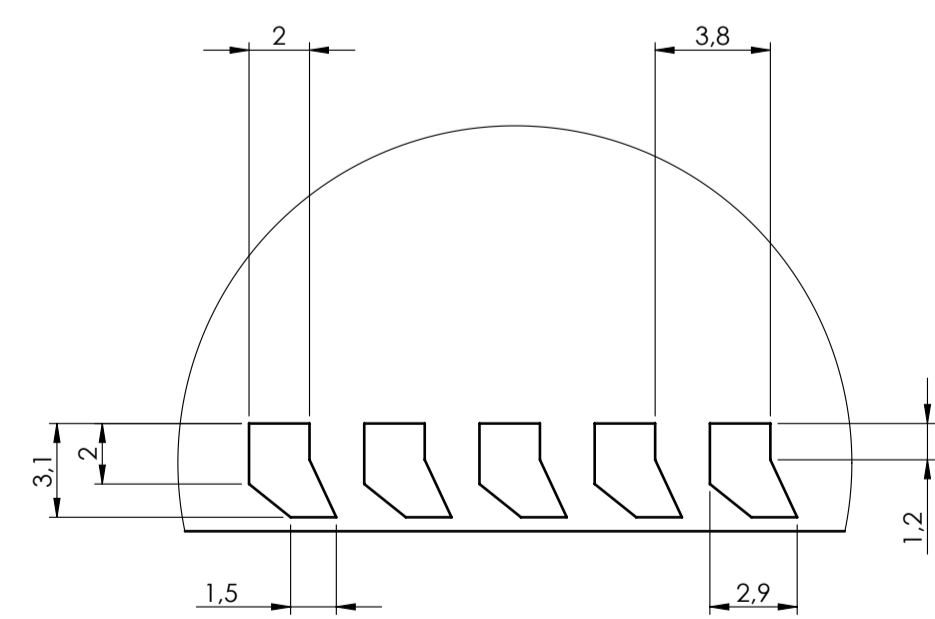
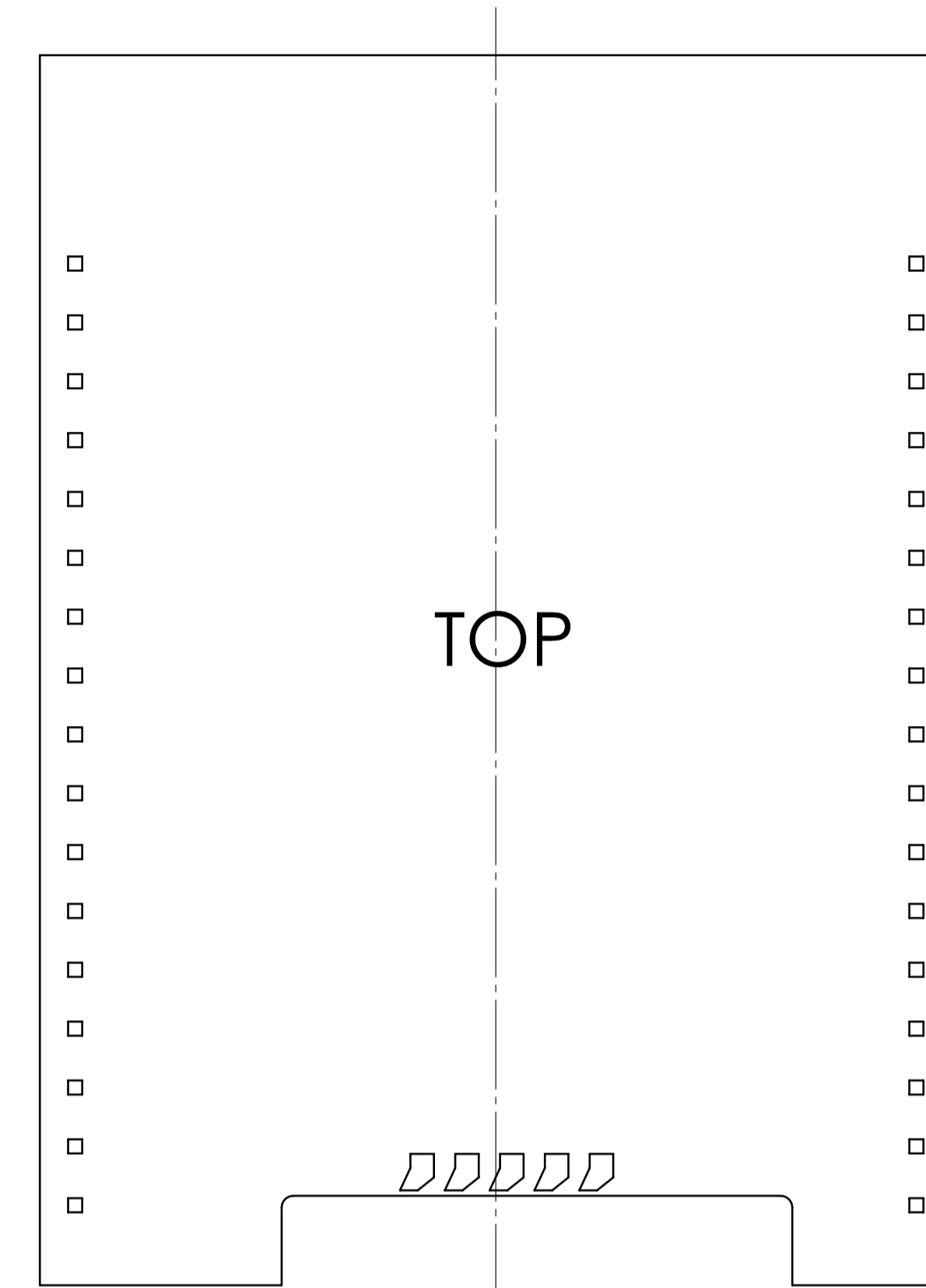
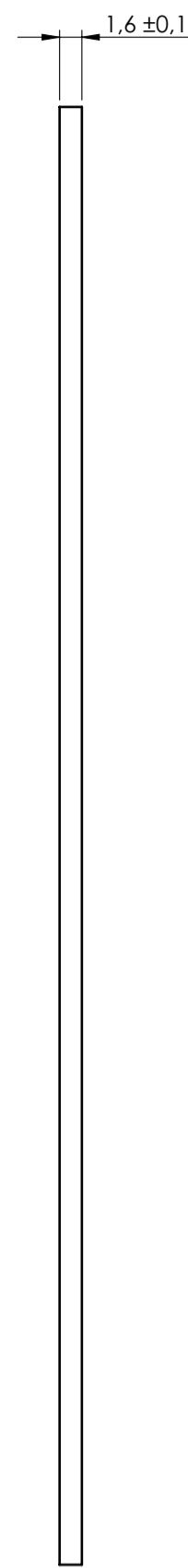
General information:
 - Workpiece zero point for mechanical processing
 - Minimum recommended radius for machining = R1.0 mm
 - Mounting rail like EN 60715: TH 35-15
 - Recommended PCB outline on www.italtronic.com

RIF.	Q.TY	DRAWING	DESCRIPTION
1	1	2_110_00106	COVER RAILBOX STANDARD 5 MM BUS
2	1	2_110_00008	FRONT HINGED TRANSPARENT PANEL 12 MM
3	1	2_110_00011	SPRING FOR HOOK RAILBOX
4	1	2_110_00010	HOOK RAILBOX FOR CONNECTION BUS
5	1	2_110_00009	ACCESSORY BUS 17.5 MM
6	1	2_110_00006	BASE RAILBOX STANDARD 12.5 MM BUS

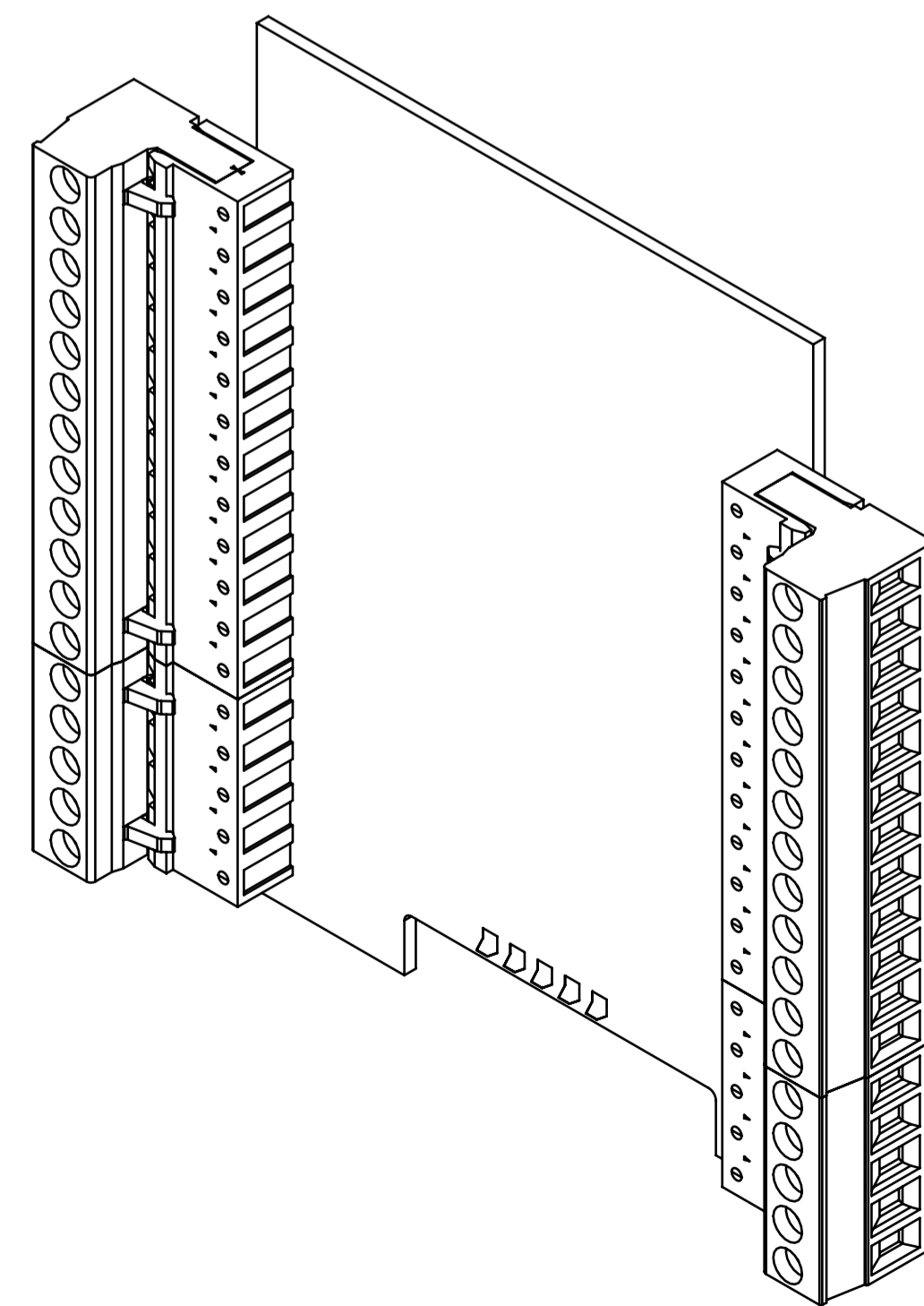
Dimension in mm	from 0.5 to 3	from 3 to 6	from 6 to 30	from 30 to 120	from 120 to 400	Sheet:
General Tolerances (UNE EN 22768/1) Media [mm]	±0.1	±0.1	±0.2	±0.3	±0.5	1
Scale:	1:1	M.S.	R.N.	20/10/2023		
Drawn by:						
Checked by:						
Date:						
Material:						
Process:						
Replaces the:						
Derived from:						
Weight:						
Cod. Mod:						



PVxx-5,08-H-M
SHxx-5,08-M



DETAIL B
SCALE 4 : 1



General Tolerance IIR EN 22768/1 Media (m)					Sheet:
from 0.5 to 3 ± 0.1	from 3 to 6 ± 0.1	from 6 to 30 ± 0.2	from 30 to 120 ± 0.3	from 120 to 400 ± 0.5	PCB
Scale:	2:1	Drawn:	M.S.	Checked:	R.N.
Dimension in mm		Replaces the:	R-03450-00	Date:	20/10/2023
		Derived from:		Material:	
		Weight:	gr	Cod. Mold:	
Description:					Rev:
KIT CONTENITORE RAILBOX VERTICALE PER BUS 17.5MM KIT ENCLOSURE RAILBOX VERTICALE FOR BUS 17.5MM					01
Drawing IT:					A1
NO COMPONENTS AREA					
italtronic enclosures for electronics italtronic.com					
3_110_00002					