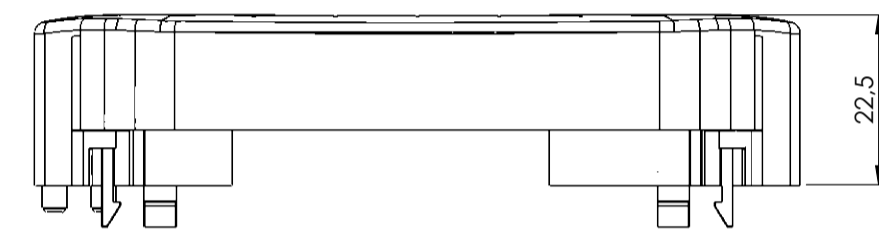
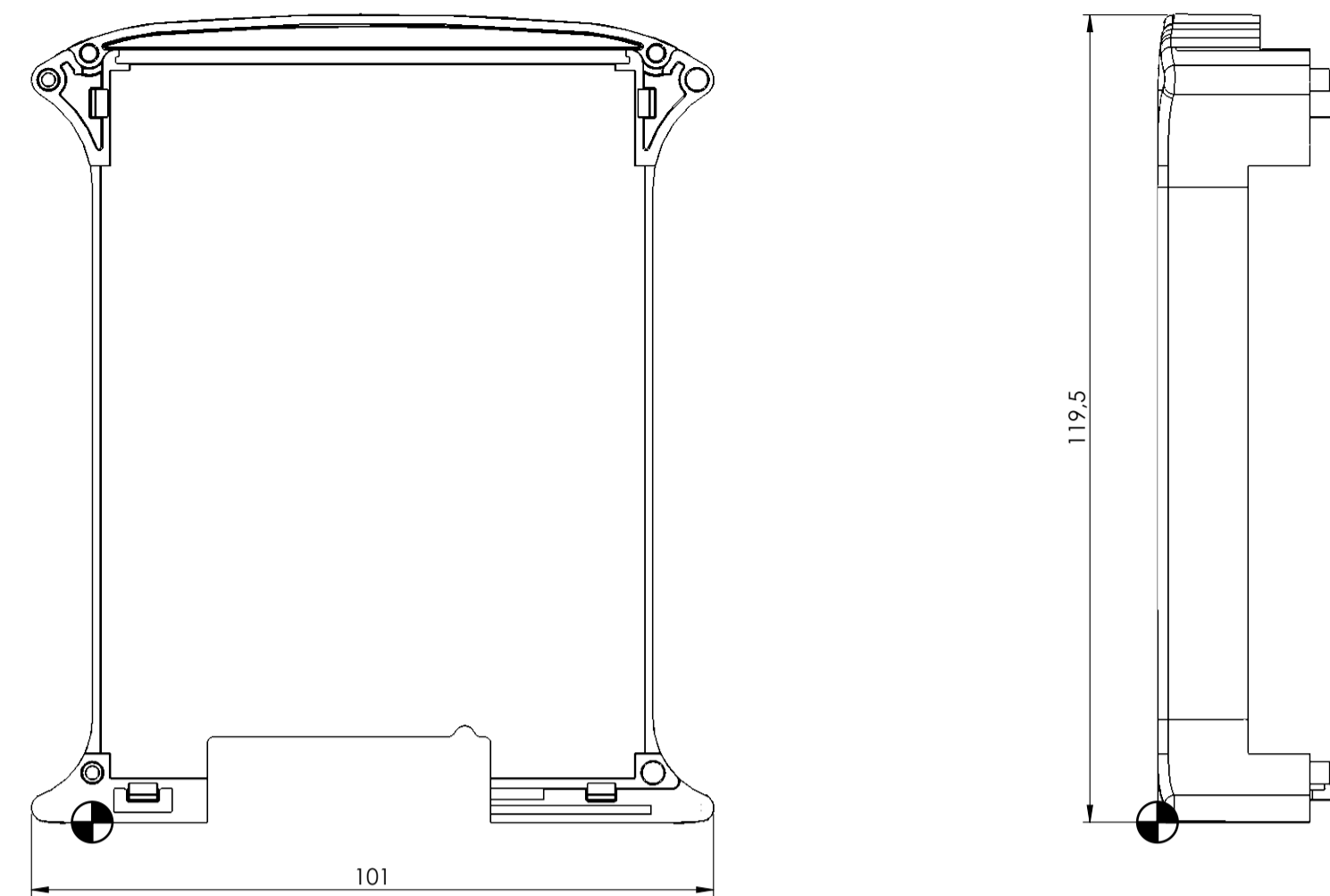
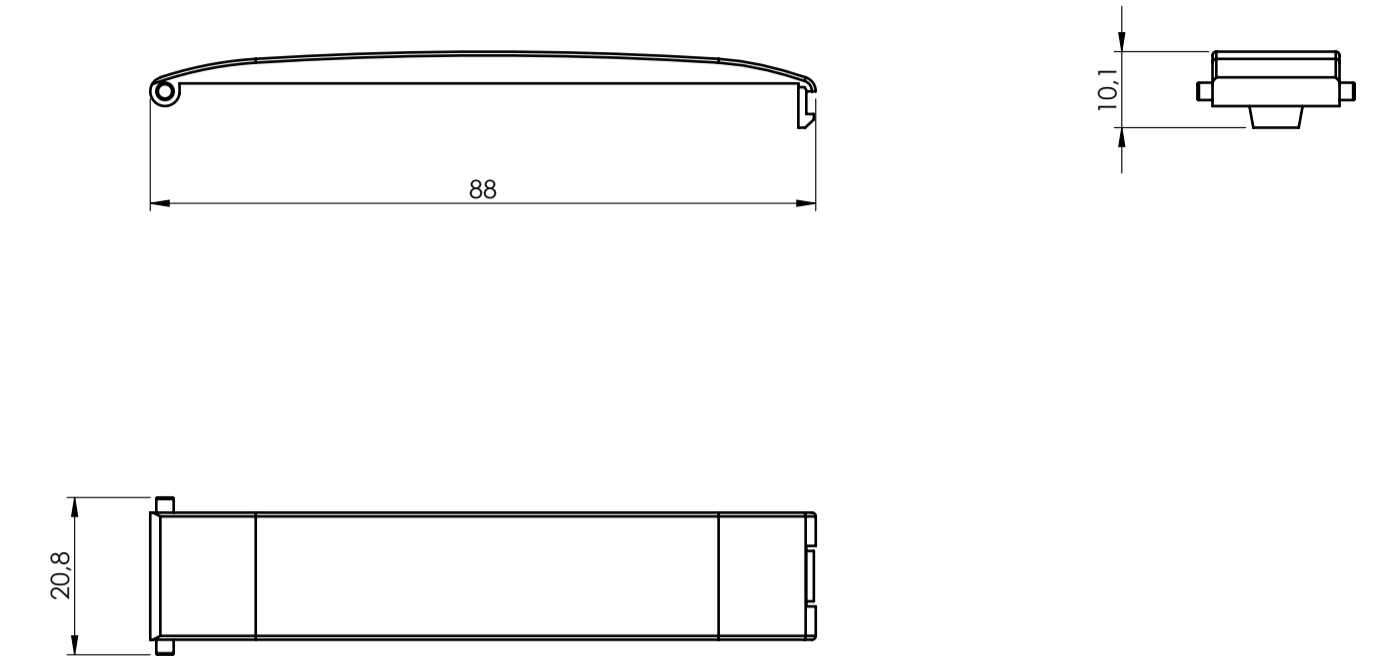


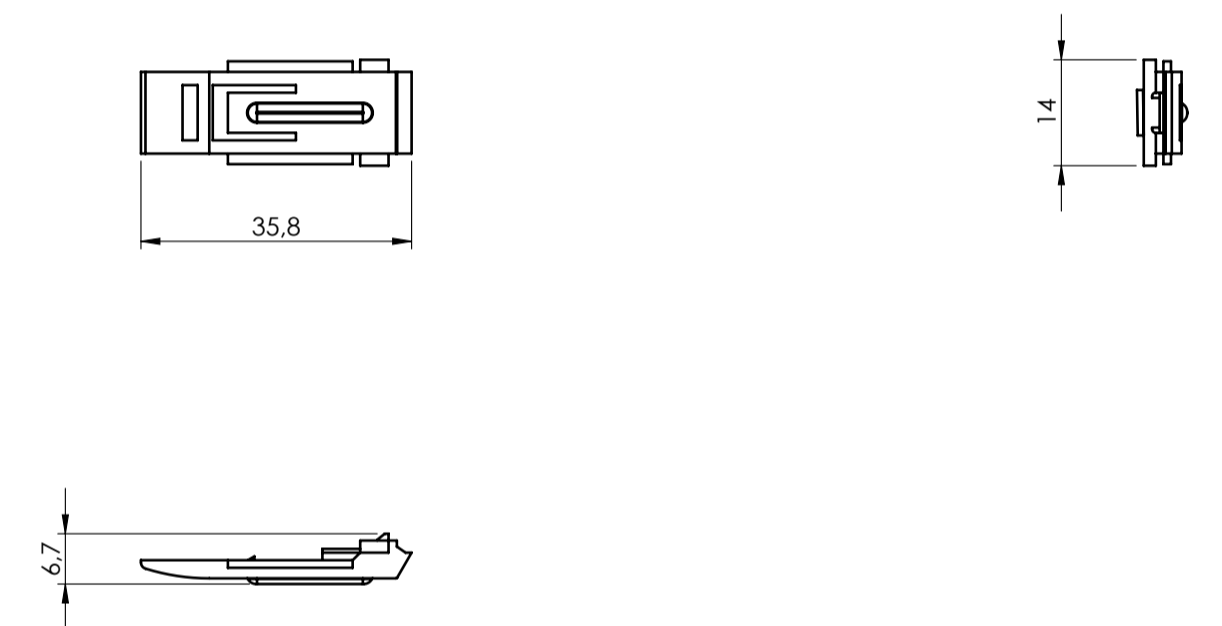
COVER RAILBOX



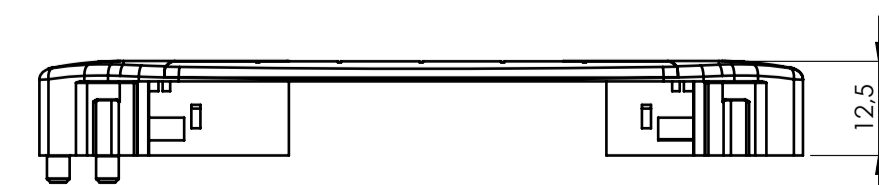
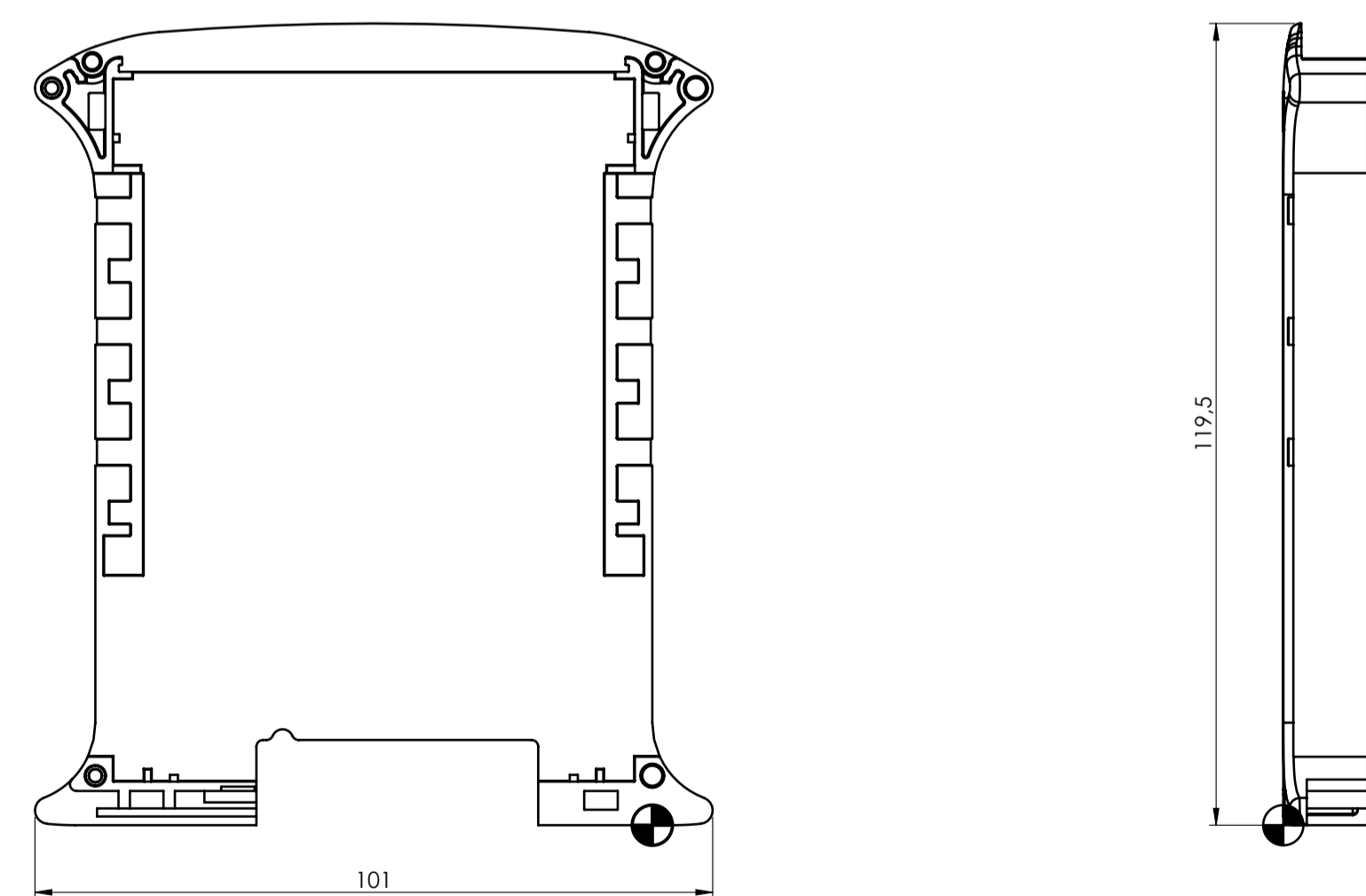
HINGED PANEL



HOOK

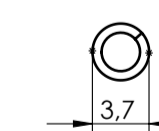
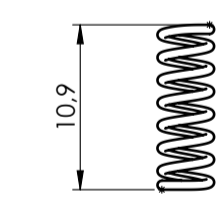


BASE RAILBOX



SPRING

2:1



General information:
 - Workpiece zero point for mechanical processing
 - Minimum recommended radius for machining = R1.0 mm
 - Mounting rail like EN 60715; TH 35-15
 - Recommended PCB outline on www.italtronic.com

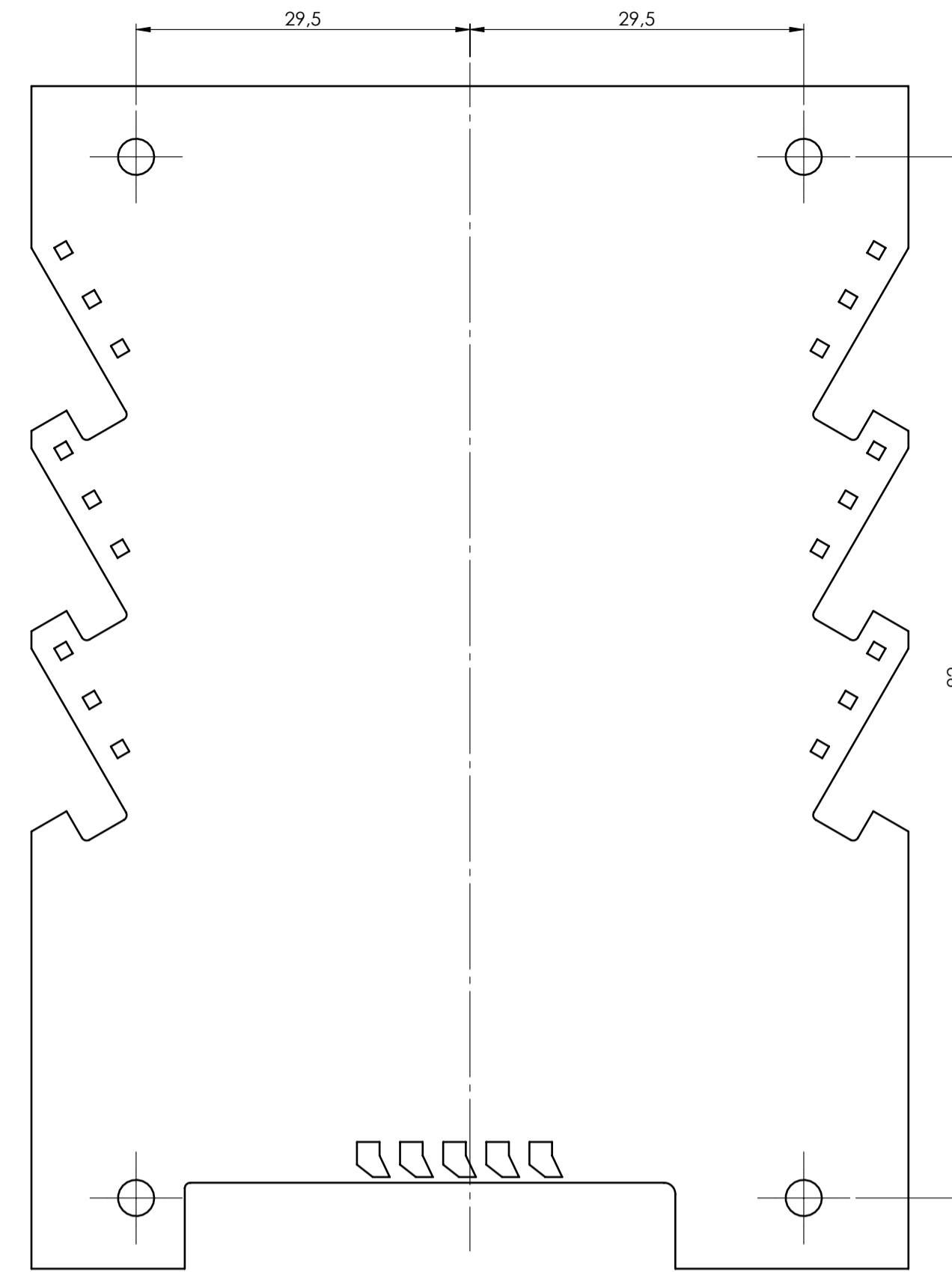
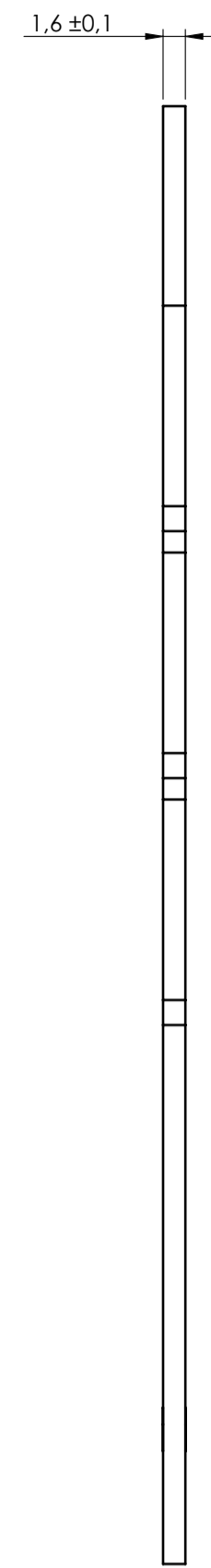
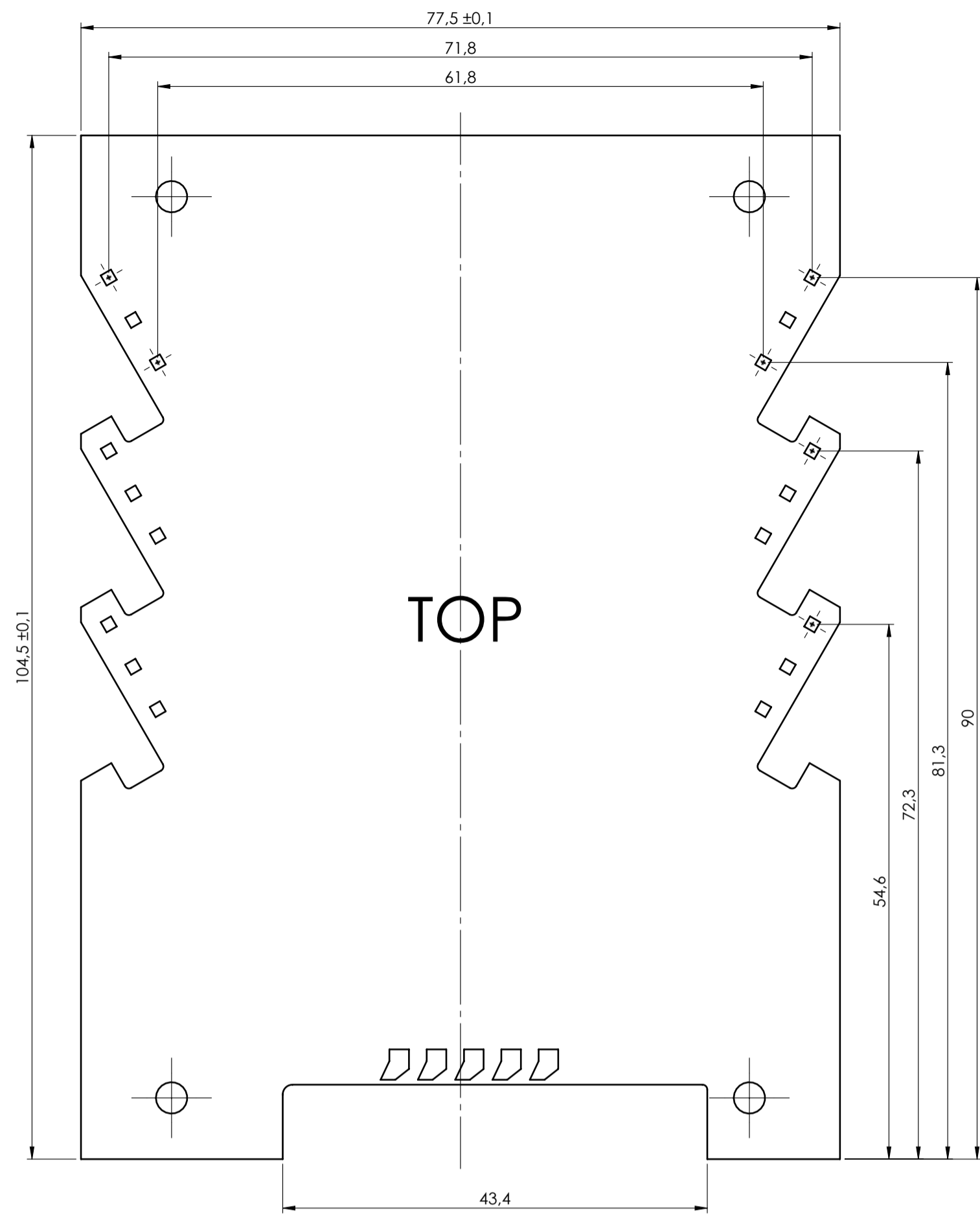
RIF.	Q.TY	DRAWING	DESCRIPTION
1	1	2_110_00012	BASE RAILBOX MULTILEVEL PLUG-IN AND FIX 12.5 MM BUS
2	1	2_110_00022	COVER RAILBOX 22.5 MM 3L STANDARD PANEL BUS
3	1	2_110_00010	HOOK RAILBOX FOR CONNECTION BUS
4	1	2_110_00011	SPRING FOR HOOK RAILBOX
5	2	2_110_00009	ACCESSORY BUS 17.5 MM
6	1	2_110_00072	FRONT HINGED TRANSPARENT PANEL 17 MM

Dimension in mm	Scale	Drawn:	Checked:	Date:	Material:	Process:
from 0.5 to 3 ± 0.1	1:1	M.S.	R.N.	10/10/2023		
from 3 to 6 ± 0.1						
from 6 to 30 ± 0.2						
from 30 to 120 ± 0.3						
from 120 to 400 ± 0.5						

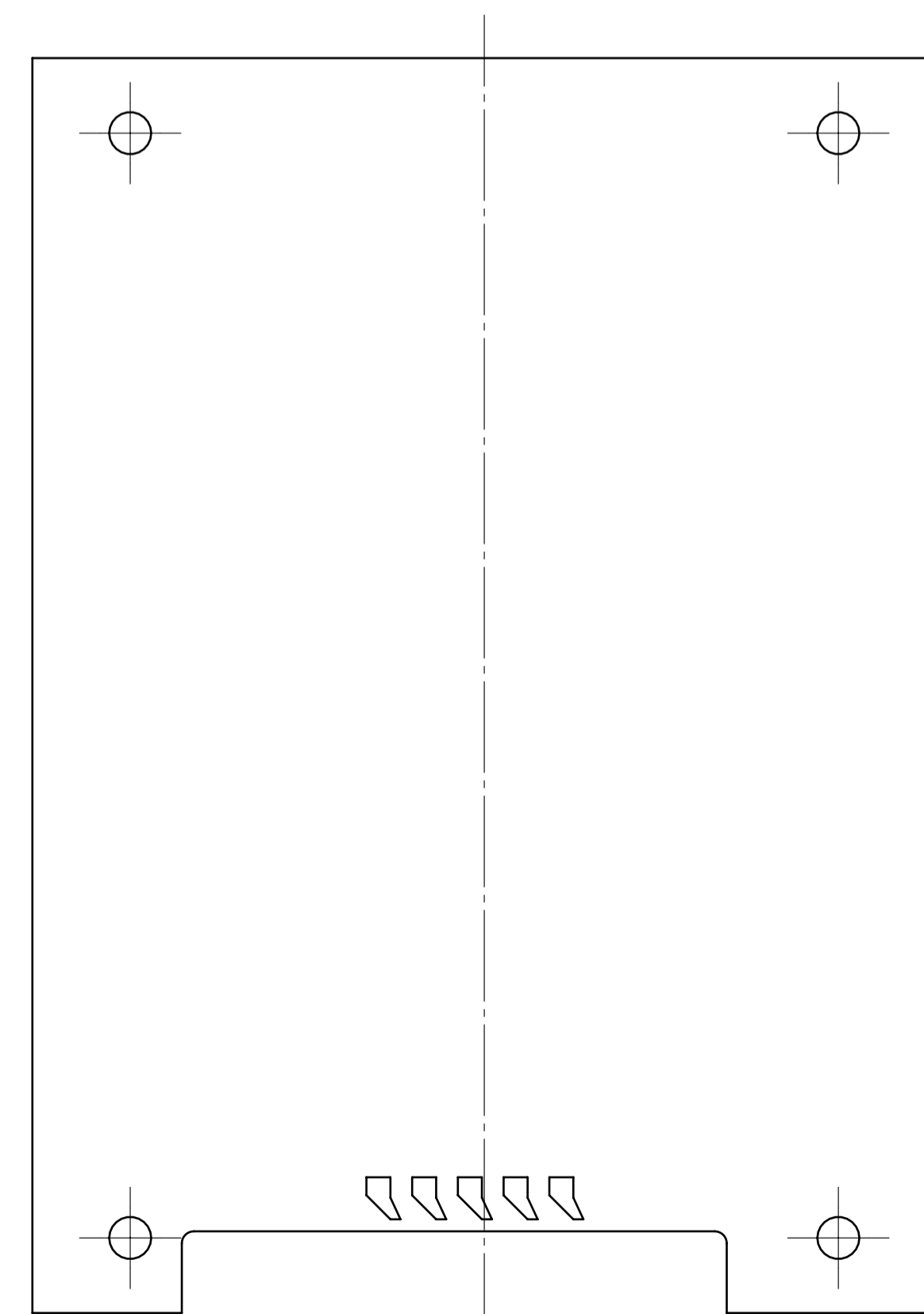
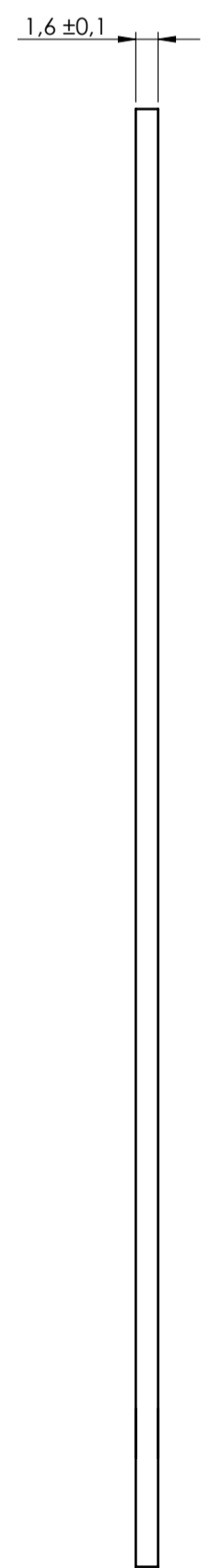
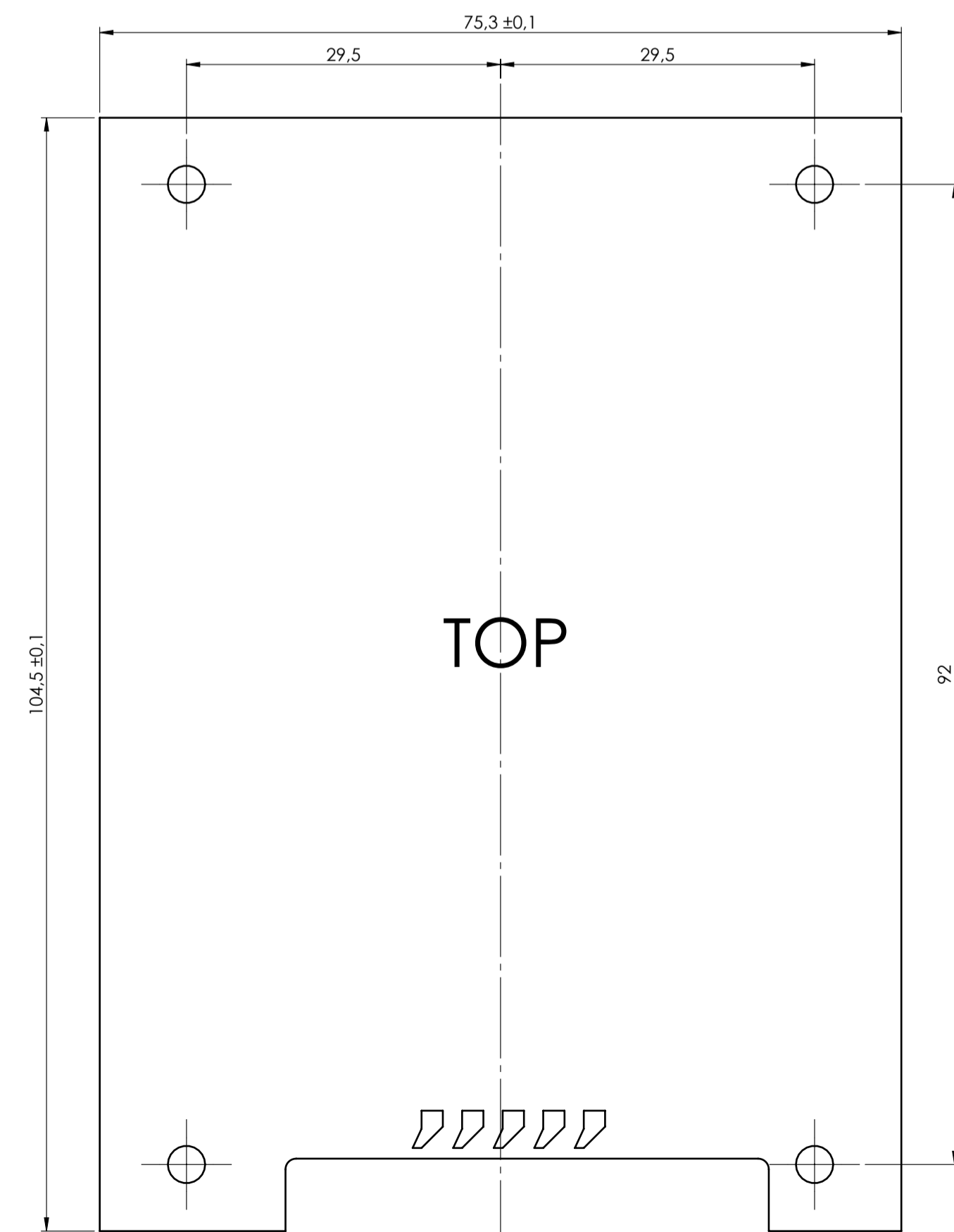
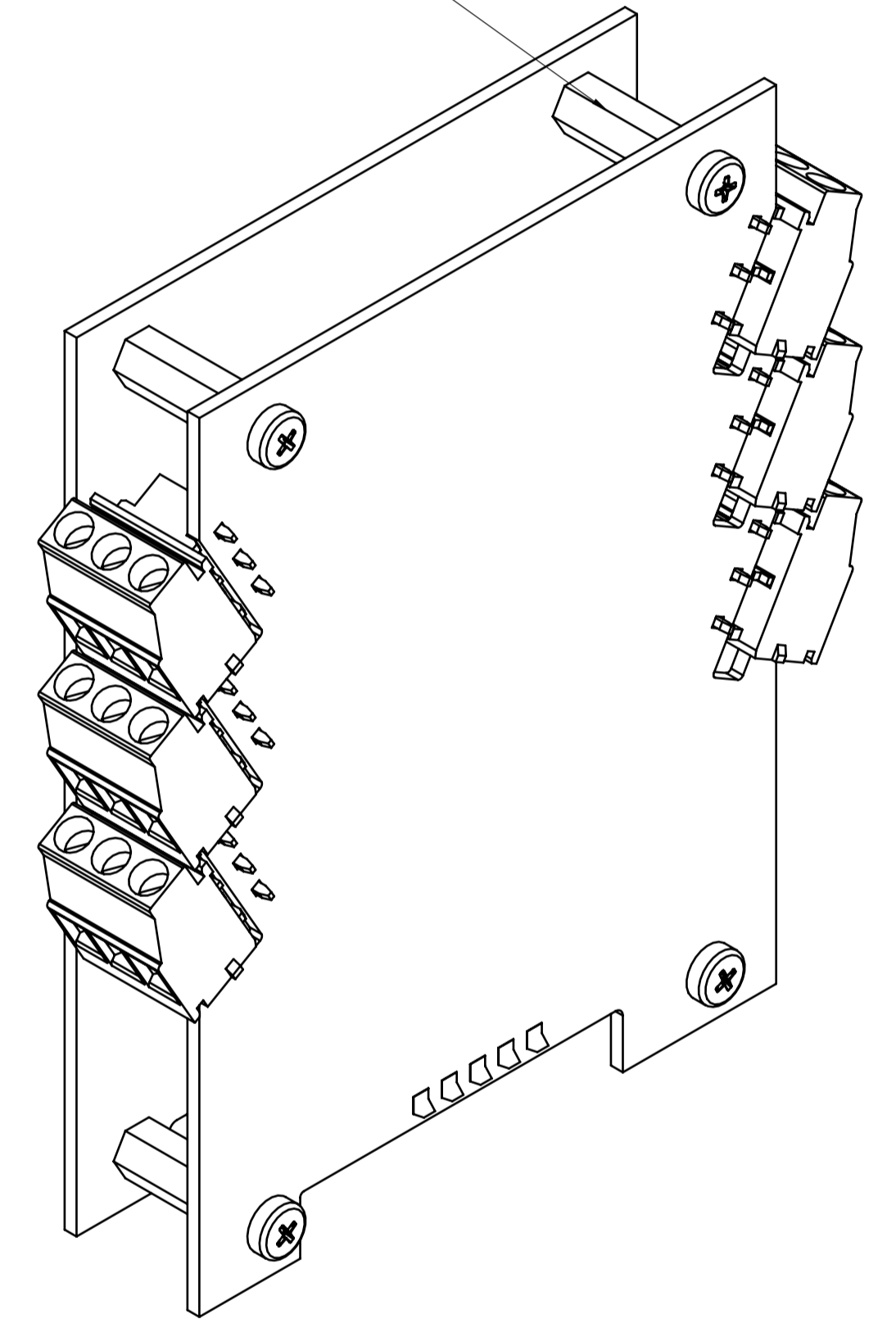
Replaces the:	Derived from:	Weight:	Cod. Mold:
R-03456-01	--	gr	--

Description:		Drawing n°:		Rev.:	
KIT CONTENITORE RAILBOX MULTILEVEL PLUG-IN E FIX 35 MM BUS KIT ENCLOSURE RAILBOX MULTILEVEL PLUG-IN AND FIX 35 MM BUS		3_110_00009		00 A1	

PCB PLUG-IN + FIX



10.000K111



General Tolerance IIR EN 22768 / Media (m)				Sheet	
from 0.5 to 3 ± 0.1	from 3 to 6 ± 0.1	from 6 to 30 ± 0.2	from 30 to 120 ± 0.3	from 120 to 400 ± 0.5	PCB
Scale:	2:1	Drawn:	M.S.	Checked:	R.N.
Dimension in mm		Replaces the:		Date:	10/10/2023
		Derived from:	R-03456-01	Material:	
		Weight:	gr	Cod. Mod:	
Description:				KIT CONTENITORE RAILBOX MULTILEVEL PLUG-IN E FIX 35 MM BUS	
Drawing n°:				3_110_00009	
Revision:				00 A1	

NO COMPONENTS AREA



enclosures for electronics
italtronic.com