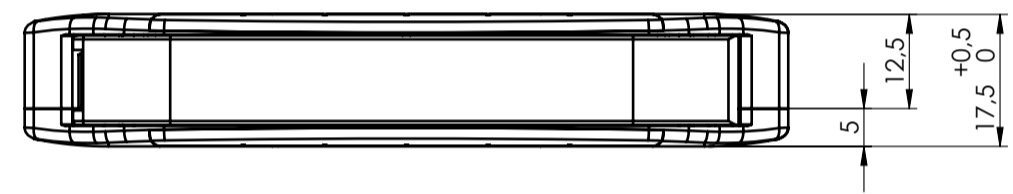
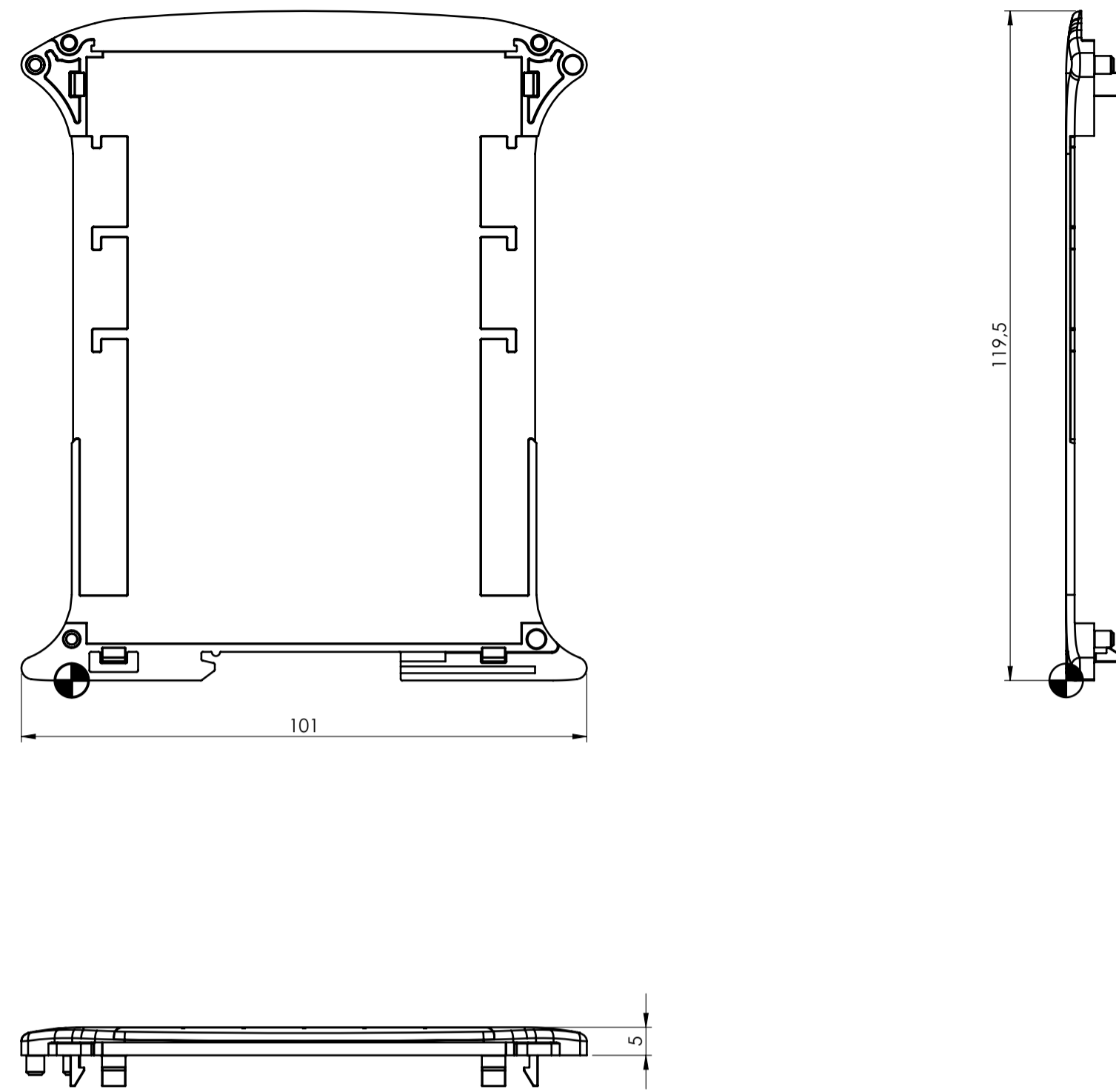


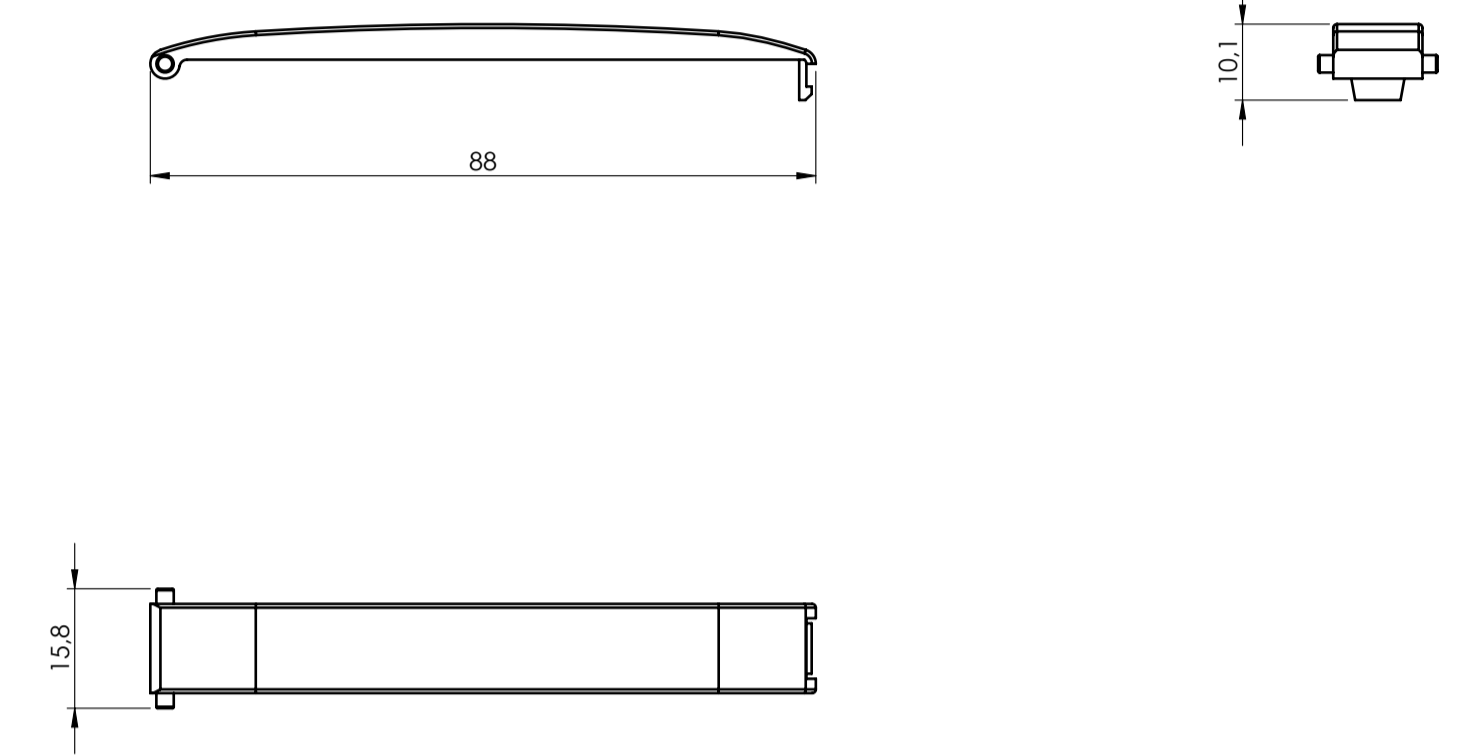
SECTION B-B



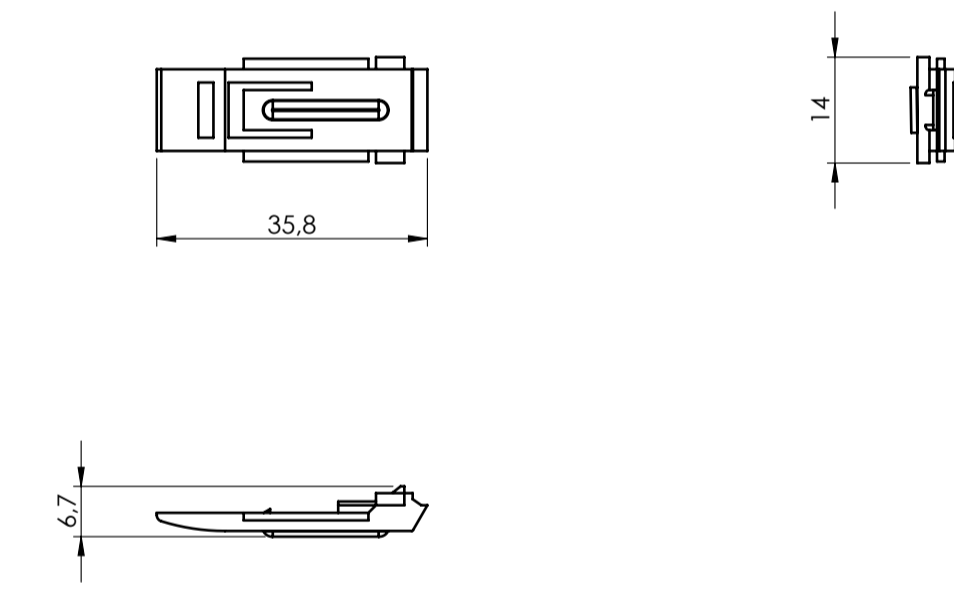
COVER RAILBOX



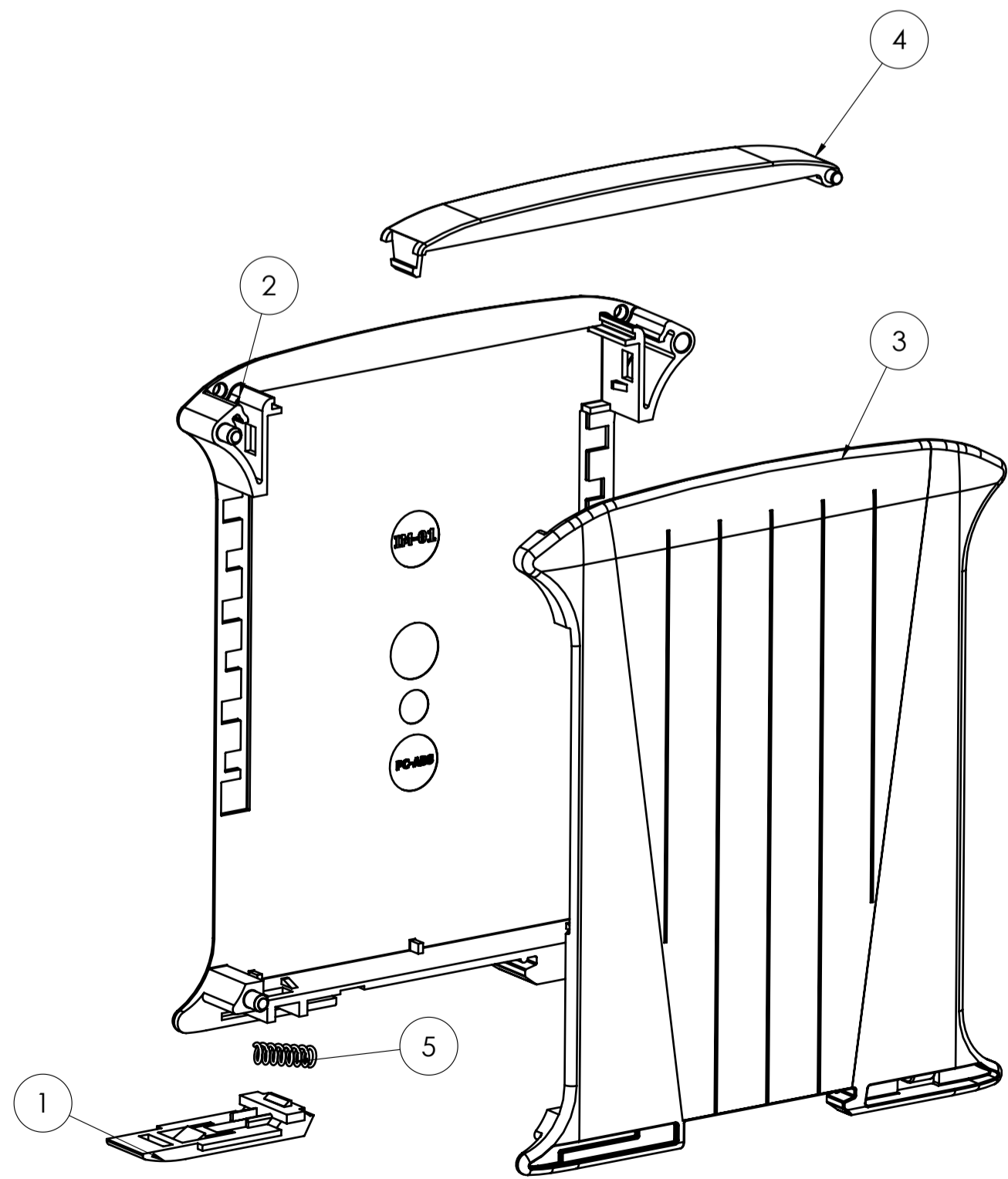
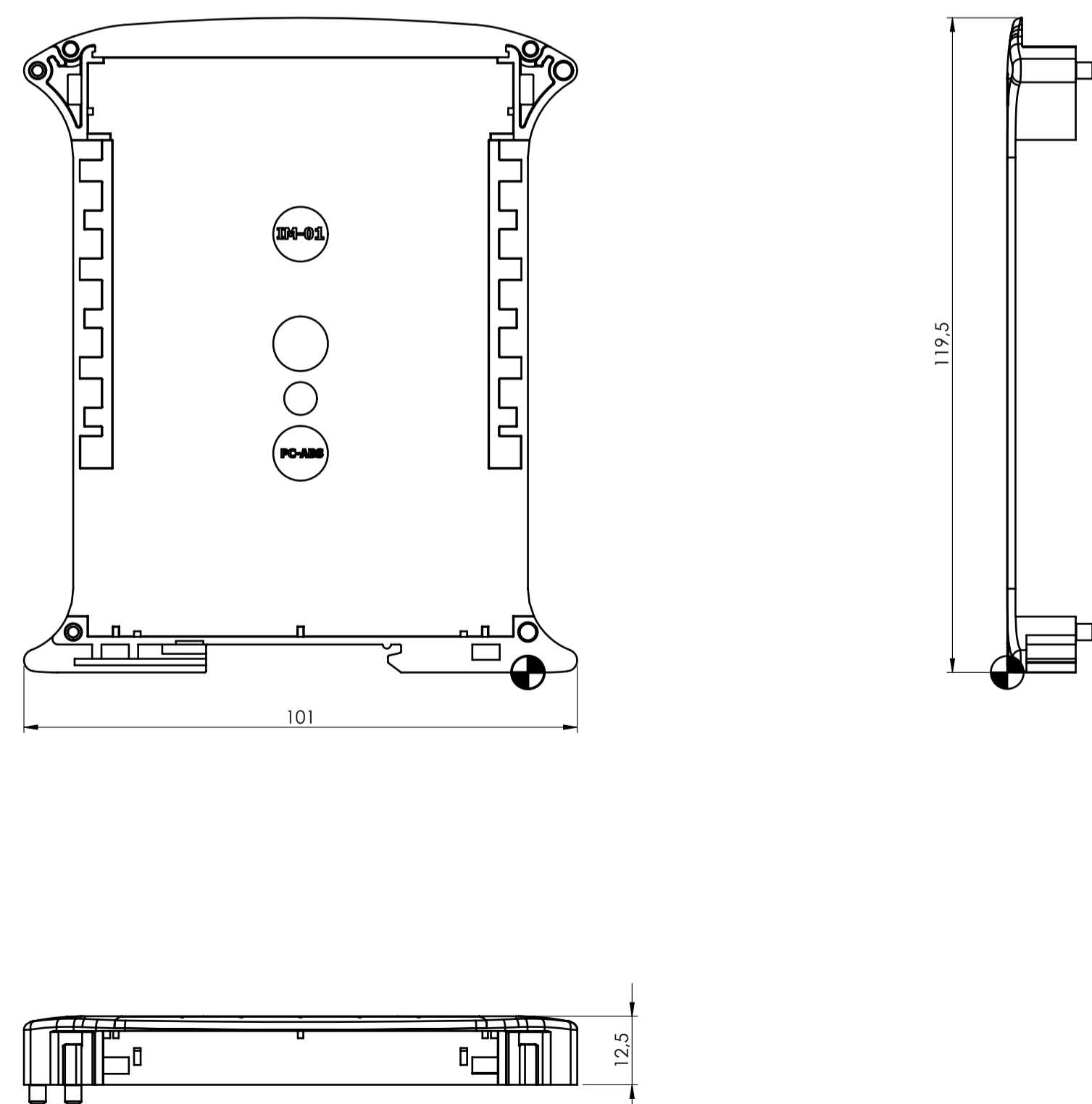
HINGED PANEL



HOOK

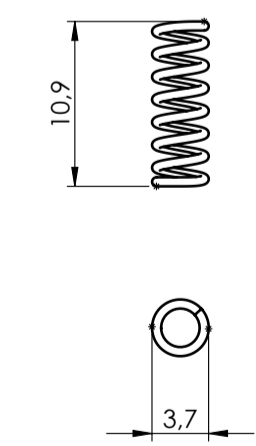


BASE RAILBOX



SPRING

2:1



General information:
 - Workpiece zero point for mechanical processing
 - Minimum recommended radius for machining = R1.0 mm
 - Mounting rail like EN 60715; TH 35-15
 - Recommended PCB outline on www.italtronic.com

RIF.	Q.TY	DRAWING	DESCRIPTION
1	1	2_110_00032	HOOK RAILBOX
2	1	2_110_00033	BASE RAILBOX 12.5 MM 3L
3	1	2_110_00063	PLUG&FIX RAILBOX COVER 5 MM
4	1	2_110_00008	HINGED PANEL RAILBOX 12 MM
5	1	2_110_00011	SPRING FOR HOOK RAILBOX

General Tolerances (UNI EN 22268/1) Media [mm]

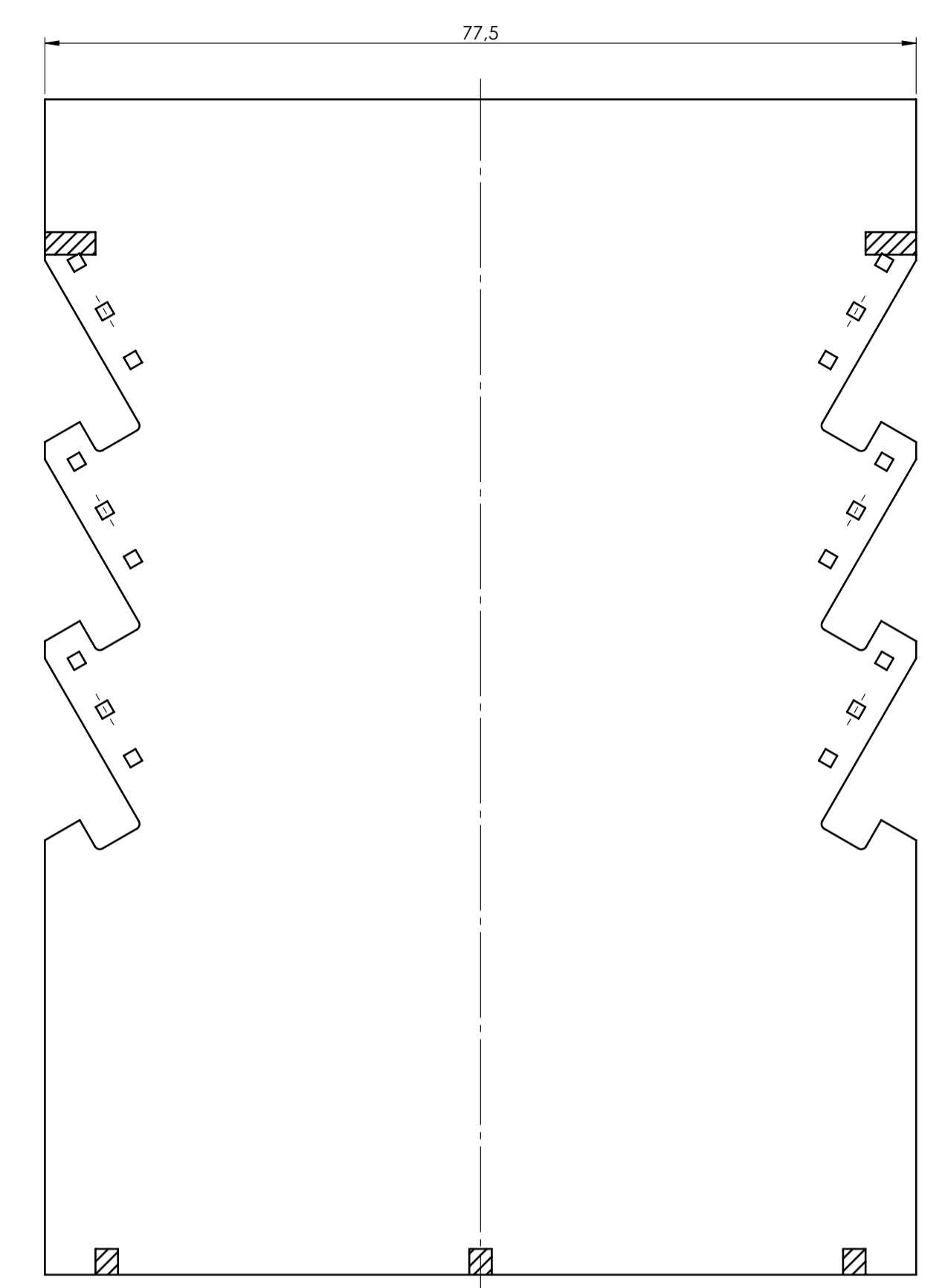
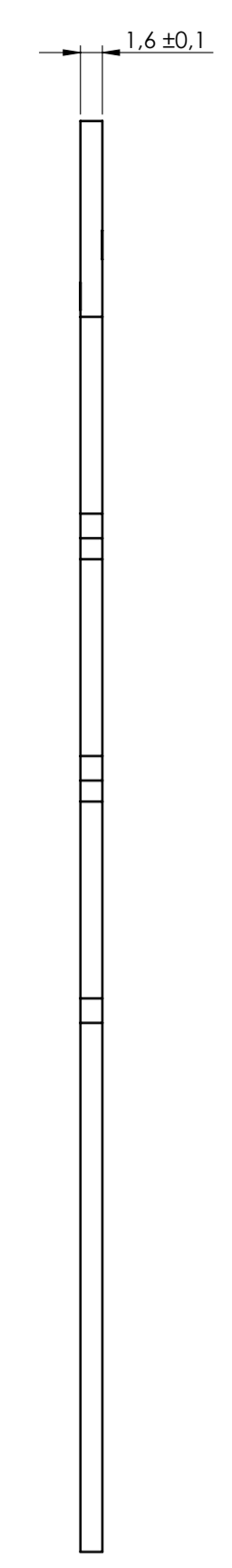
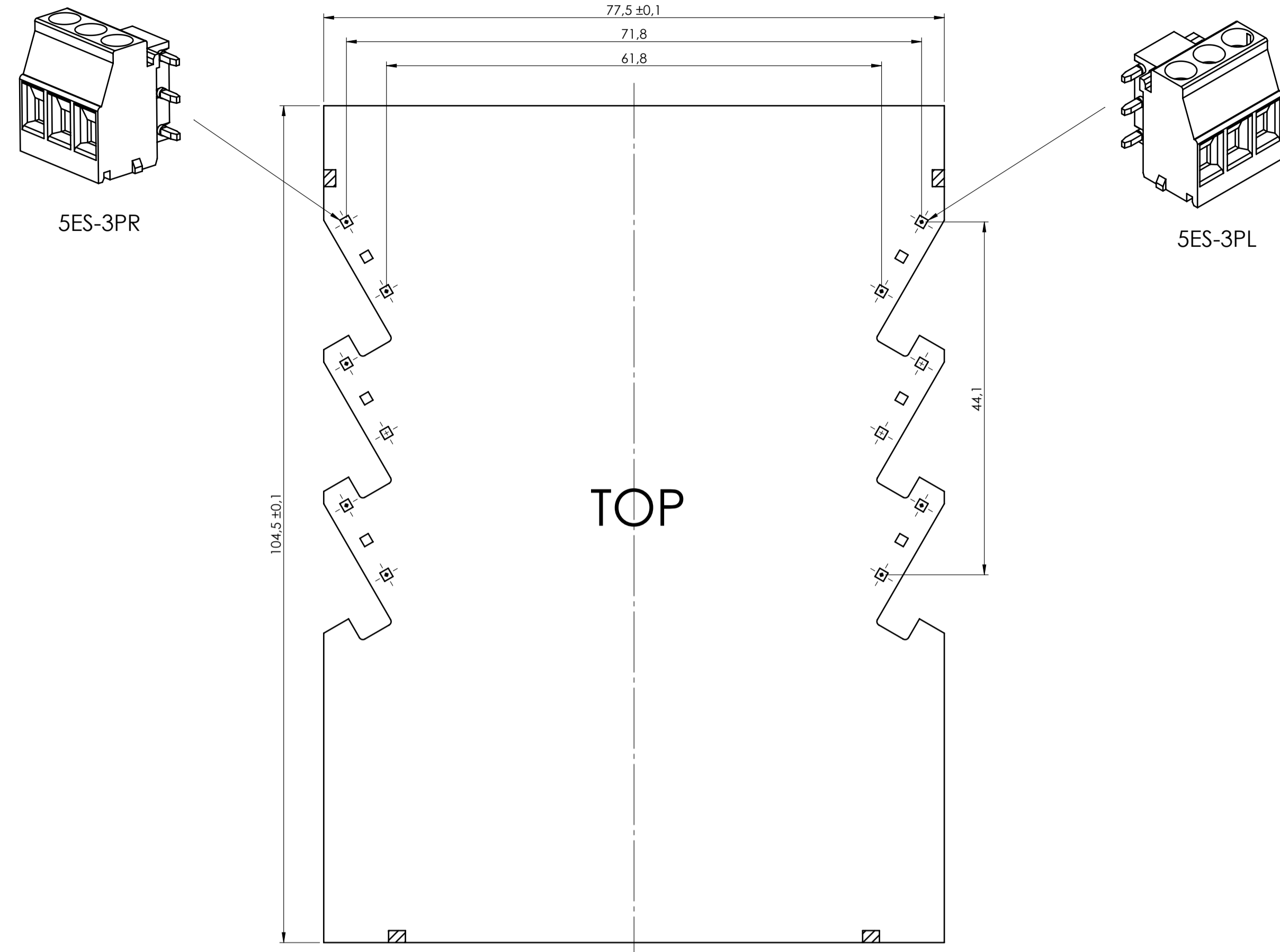
from 0.5 to 3	from 3 to 6	from 6 to 30	from 30 to 120	from 120 to 400
±0.1	±0.1	±0.2	±0.3	±0.5

Scale: 1:1
 Drawn: M.S.
 Checked: R.N.
 Date: 04/08/2023
 Replaces: R-03442-00
 Derived from: --
 Weight: gr
 Cod. Mod: --

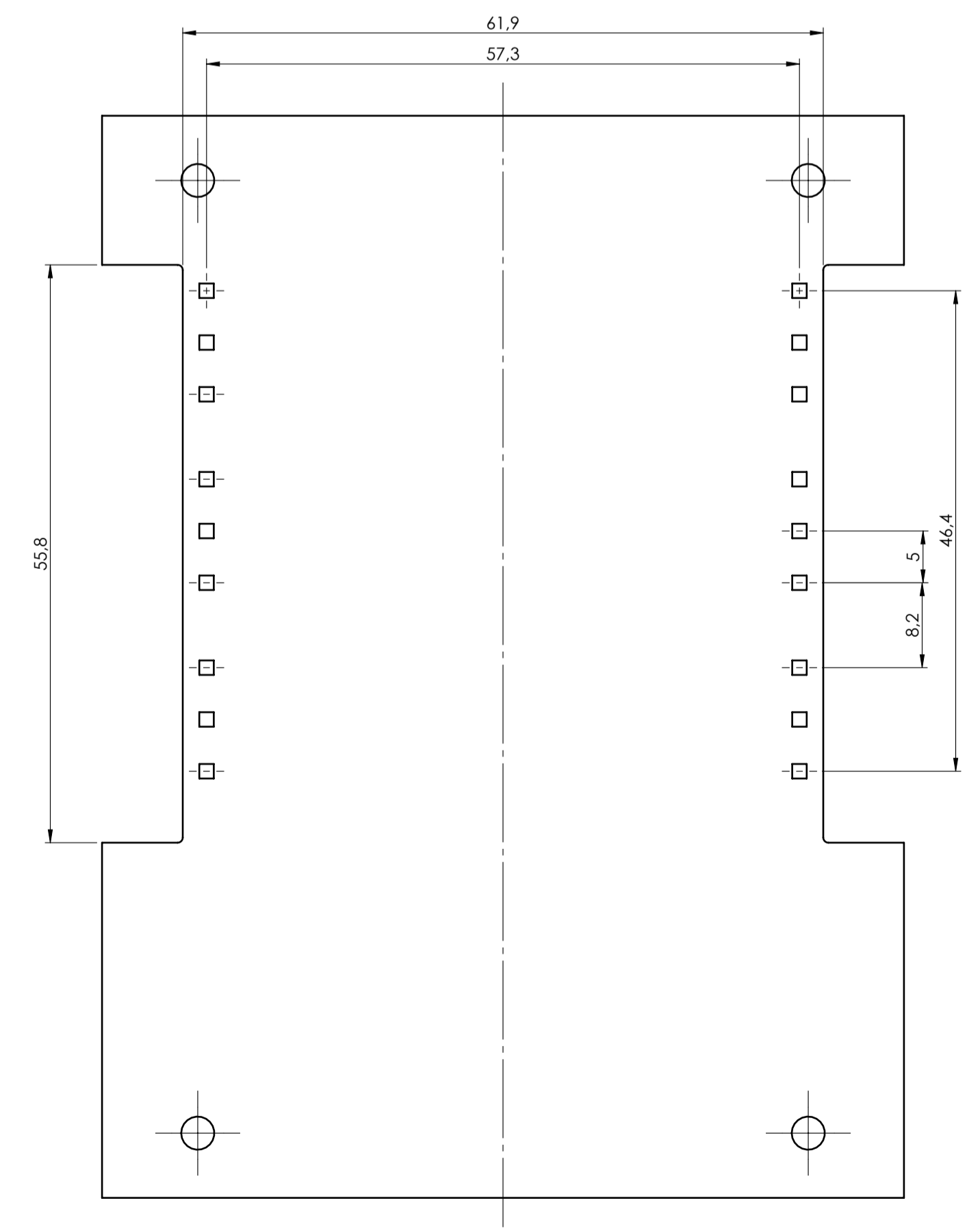
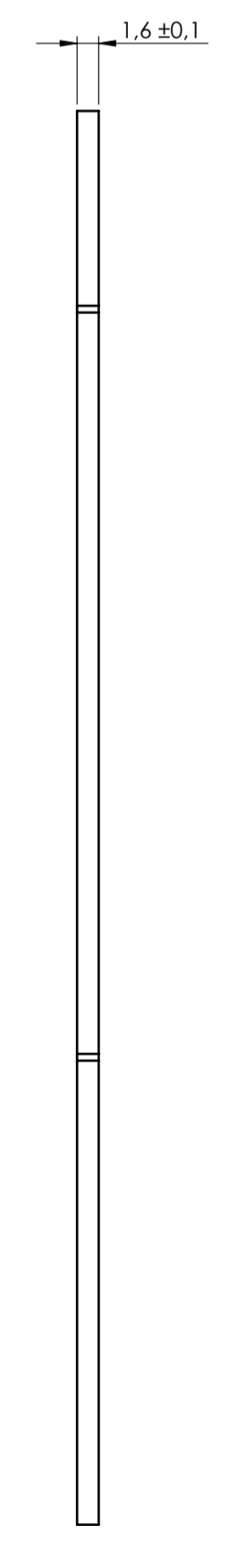
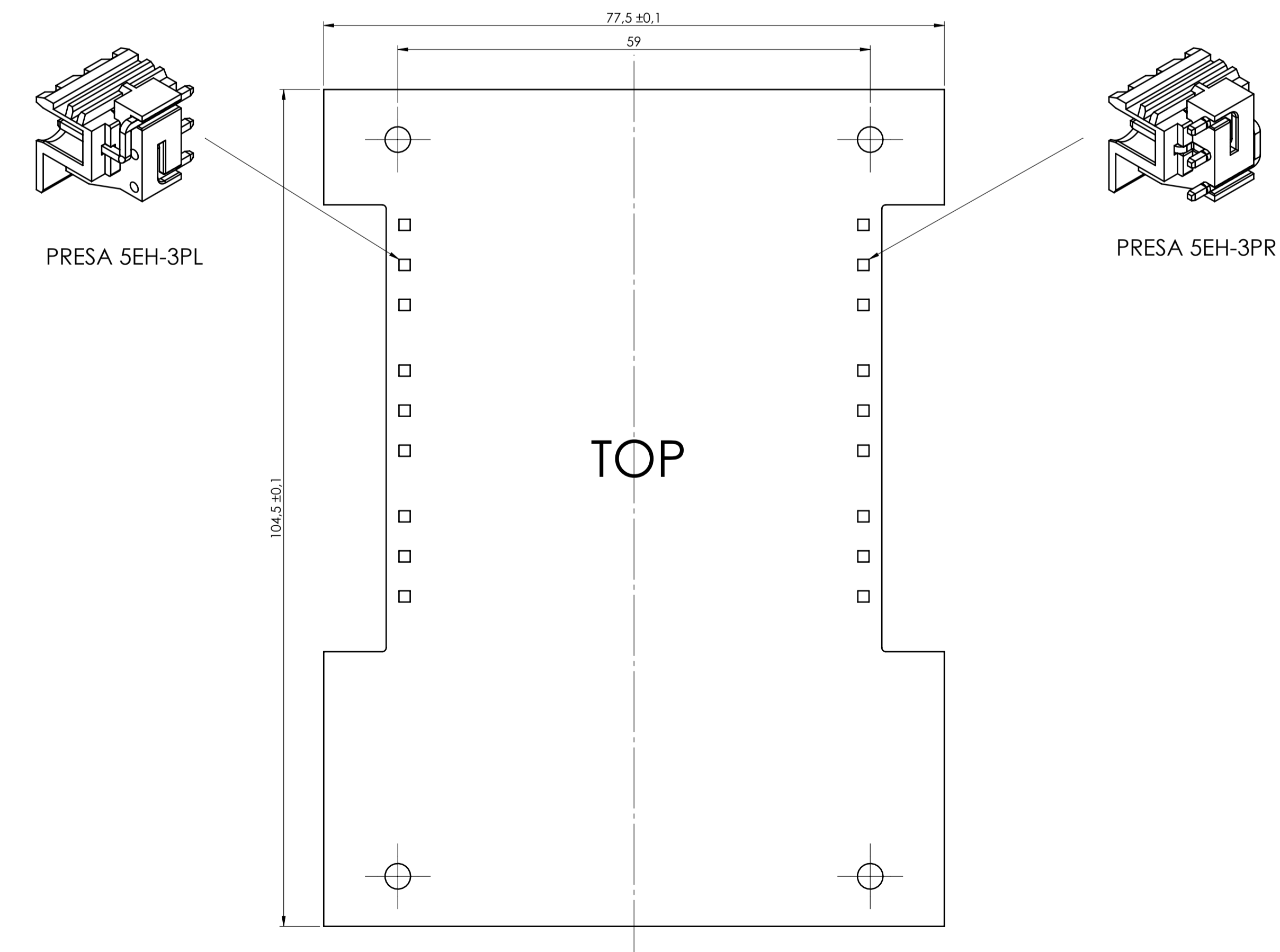
Description:
 KIT CONTENITORE RAILBOX MULTILEVEL 17.5 MM
 KIT ENCLOSURE RAILBOX MULTILEVEL 17.5 MM

Dimension in mm
 Drawing n°: **3_110_00018**
 Rev.: --
 A1

PCB V FIX



PCB V PLUG-IN



General Tolerance IRIE EN 22768 / I Media (m)				Sheet:	
from 0.5 to 3 ± 0.1	from 3 to 6 ± 0.1	from 6 to 30 ± 0.2	from 30 to 120 ± 0.3	from 120 to 400 ± 0.5	PCB
Scale:	IM:	Drawn:	Checked:	Date:	Process:
2:1	--	M.S.	R.N.	04/08/2023	--
Dimension in mm		Replaces the:		Derived from:	Weight:
		R-03442-00		--	gr
		Description:		Cod. Mold:	
		KIT CONTENITORE RAILBOX MULTILEVEL 17.5 MM		--	
		KIT ENCLOSURE RAILBOX MULTILEVEL 17.5 MM		Rev.:	
		Drawing IT:		1	
		italtronic.com		A1	
		3_110_00018			

NO COMPONENTS AREA