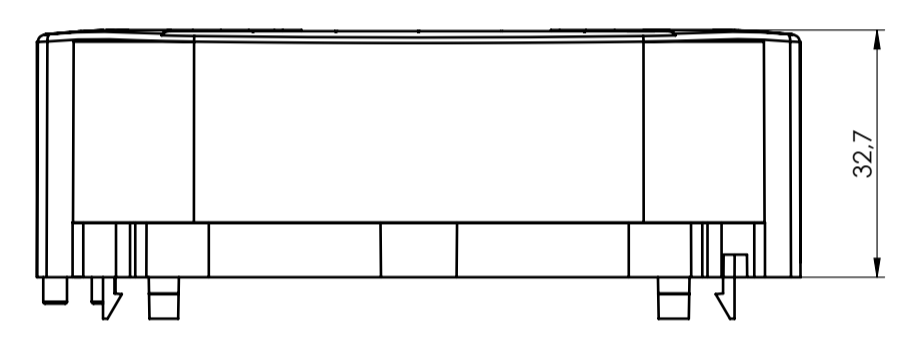
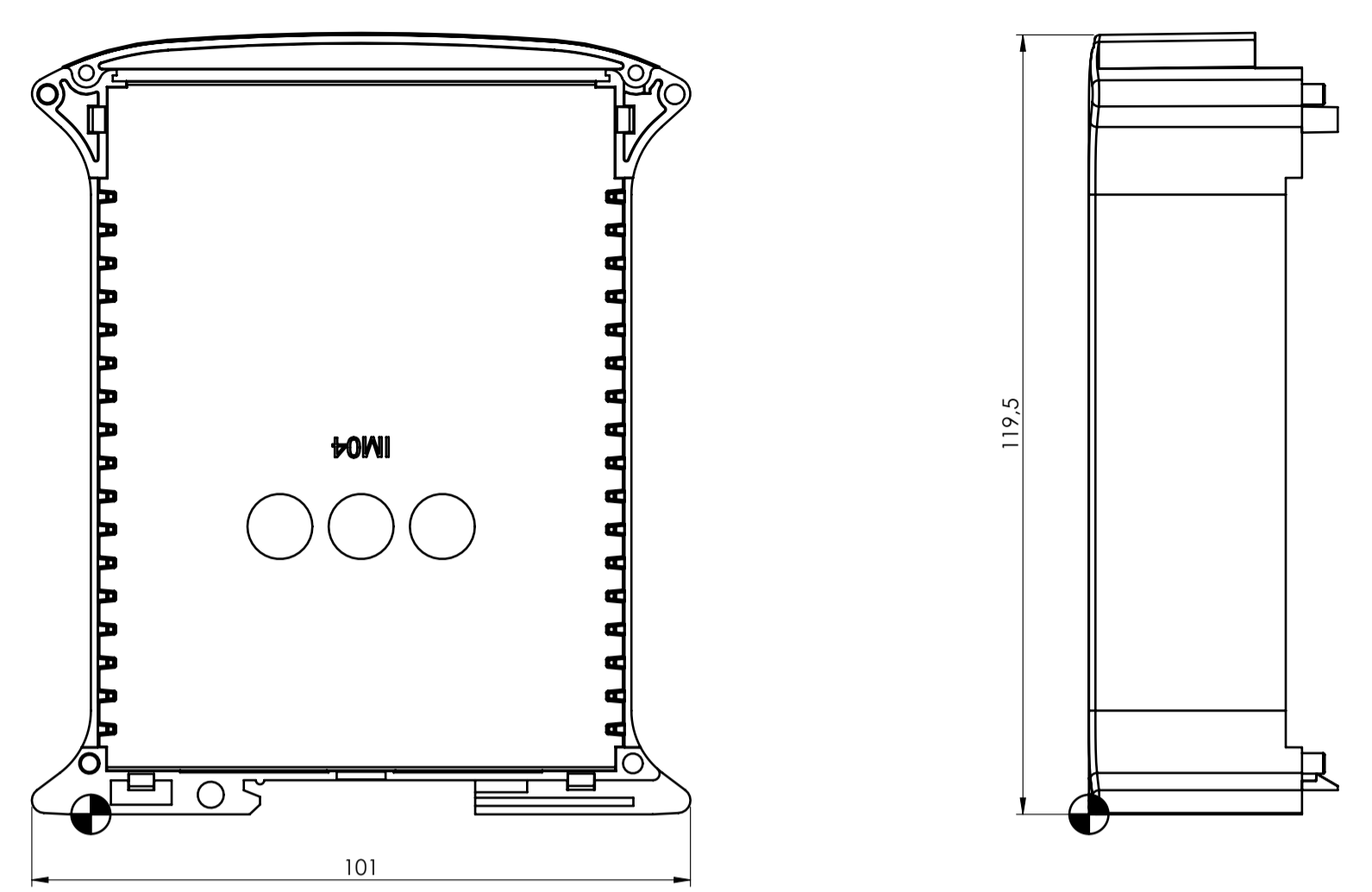
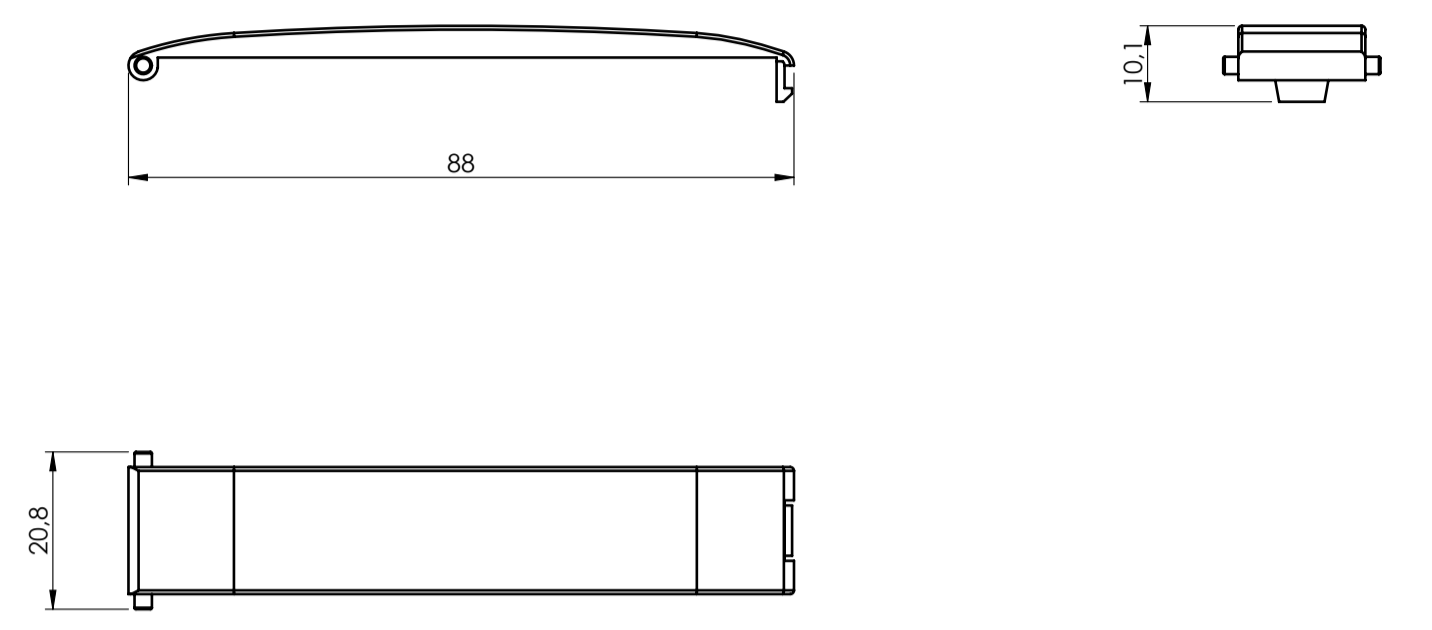


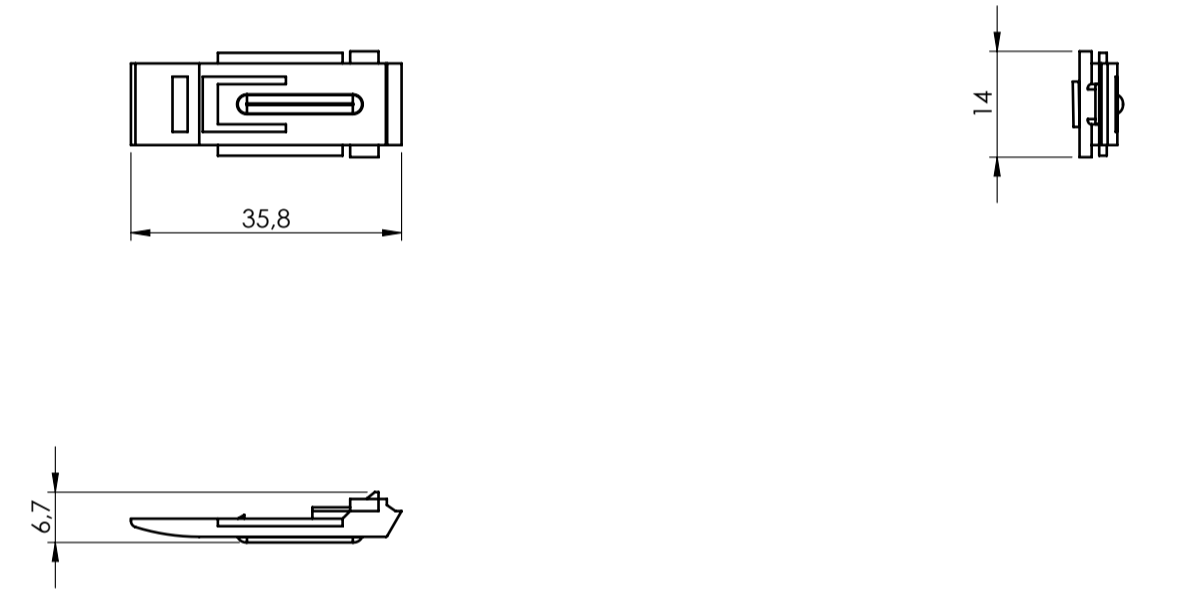
COVER RAILBOX



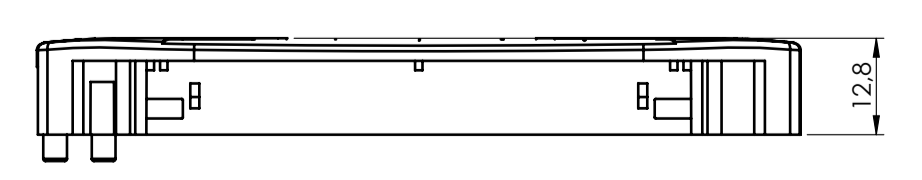
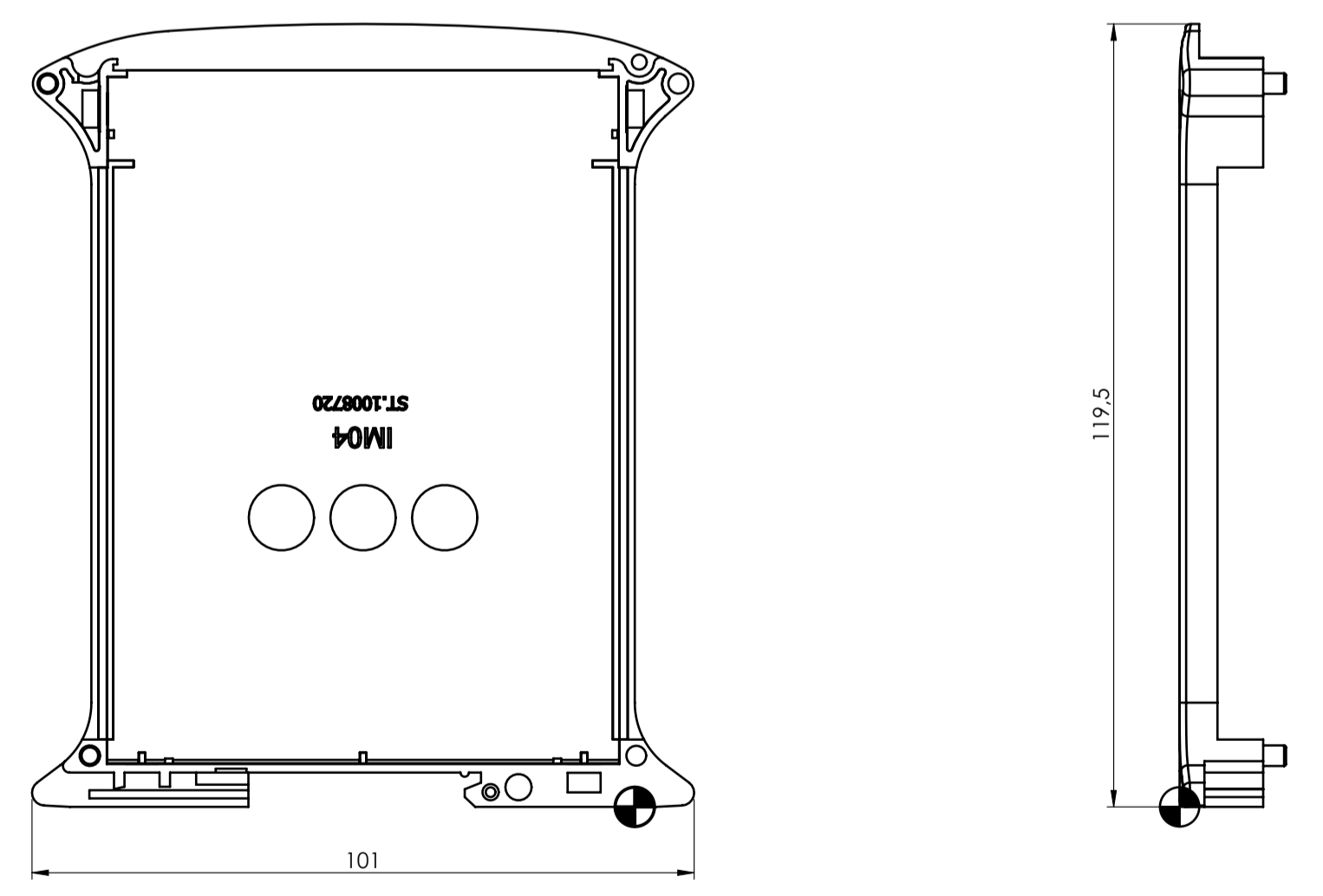
HINGED PANEL



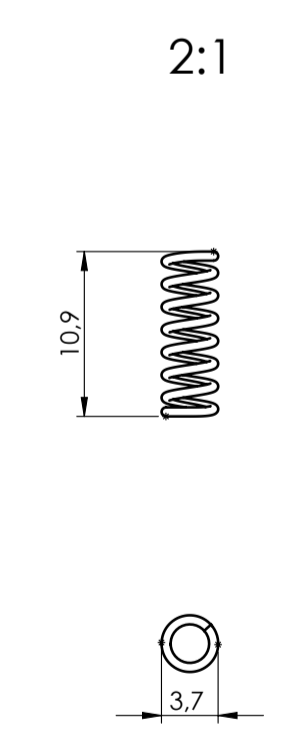
HOOK



BASE RAILBOX



SPRING



General information:  
 - Workpiece zero point for mechanical processing  
 - Minimum recommended radius for machining = R1.0 mm  
 - Mounting rail like EN 60715: TH 35-15  
 - Recommended PCB outline on [www.italtronic.com](http://www.italtronic.com)

RIF.	Q.TY	DRAWING	DESCRIPTION
1	1	2_110_00054	BASE RAILBOX VERTICAL 12.5 MM
2	1	2_110_00072	FRONT HINGED TRANSPARENT PANEL 17 MM
3	1	2_110_00048	COVER RAILBOX STANDARD 32.5 MM - 2017
4	1	2_110_00032	HOOK RAILBOX
5	1	2_110_00011	SPRING FOR HOOK RAILBOX

General Tolerances (UNE EN 22768/7 Medio [m])			
from 0.5 to 3	from 3 to 6	from 6 to 30	from 30 to 120
±0.1	±0.1	±0.2	±0.3

Scale:	Drawn:	Checked:	Date:	Material:	Process:
1:1	M.S.	R.N.	19/10/2023		

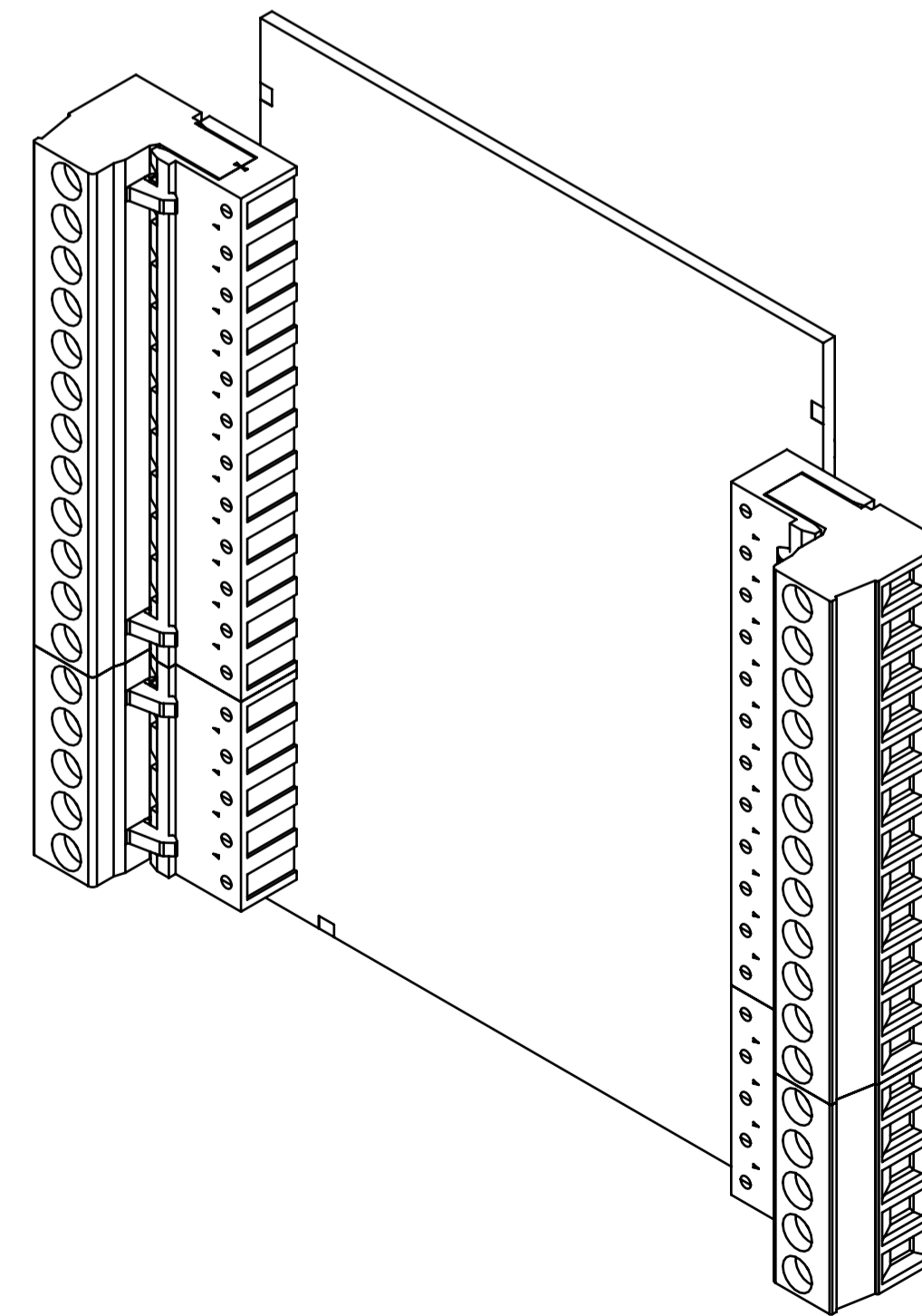
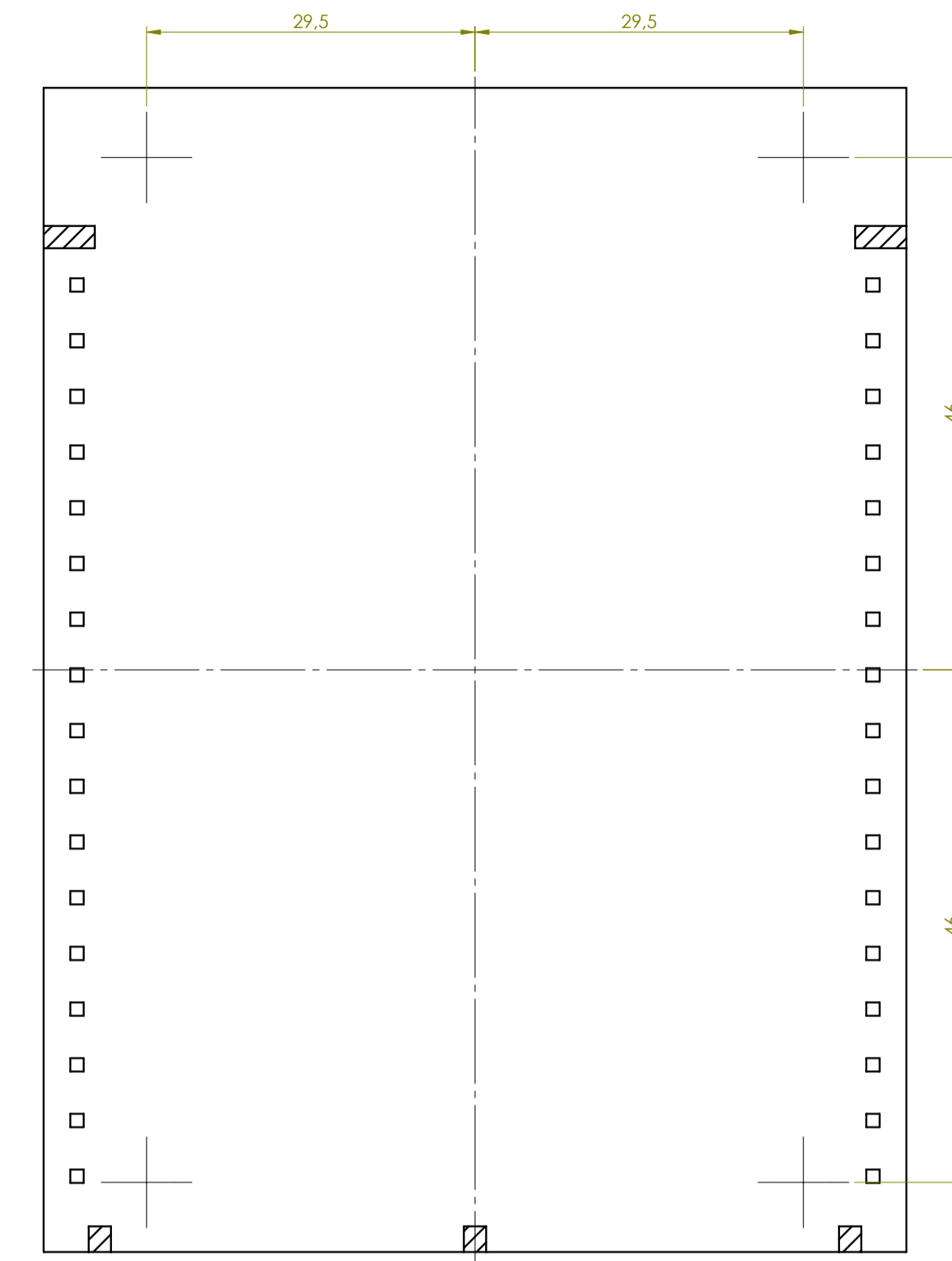
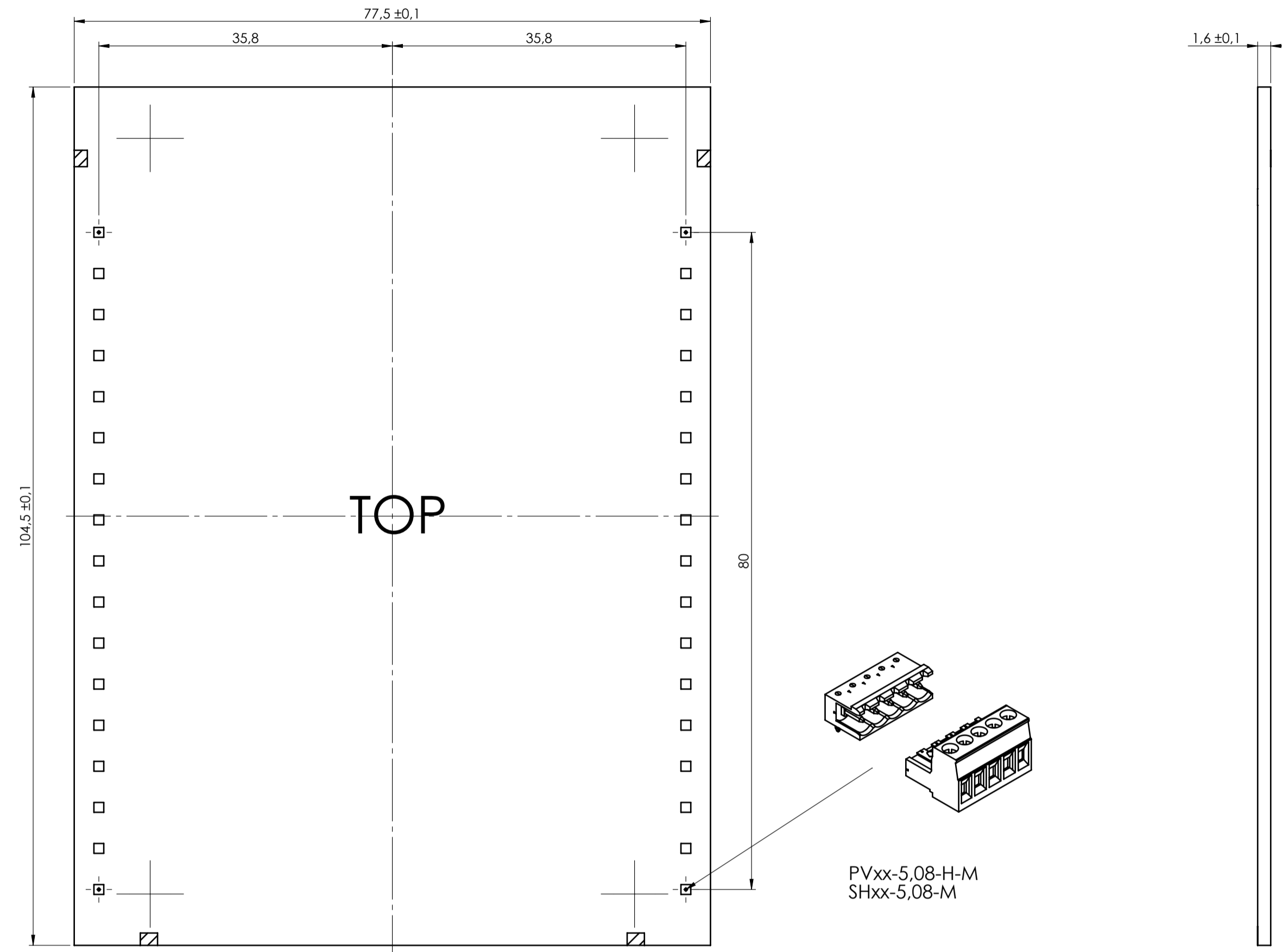
  

Dimension in mm	Replaces the:	Derived from:	Weight:	Cod. Mold:
	R-03443-00	--	gr	--

<b>italtronic</b> enclosures for electronics <a href="http://italtronic.com">italtronic.com</a>	Description: KIT CONTENITORE RAILBOX PLUG-IN STANDARD 45 MM KIT ENCLOSURE RAILBOX PLUG-IN STANDARD 45 MM Drawing n°: <b>3_110_00023</b>	Sheet: 1 Rev: <b>00</b>
---	--	-------------------------------

# PCB V PLUG-IN

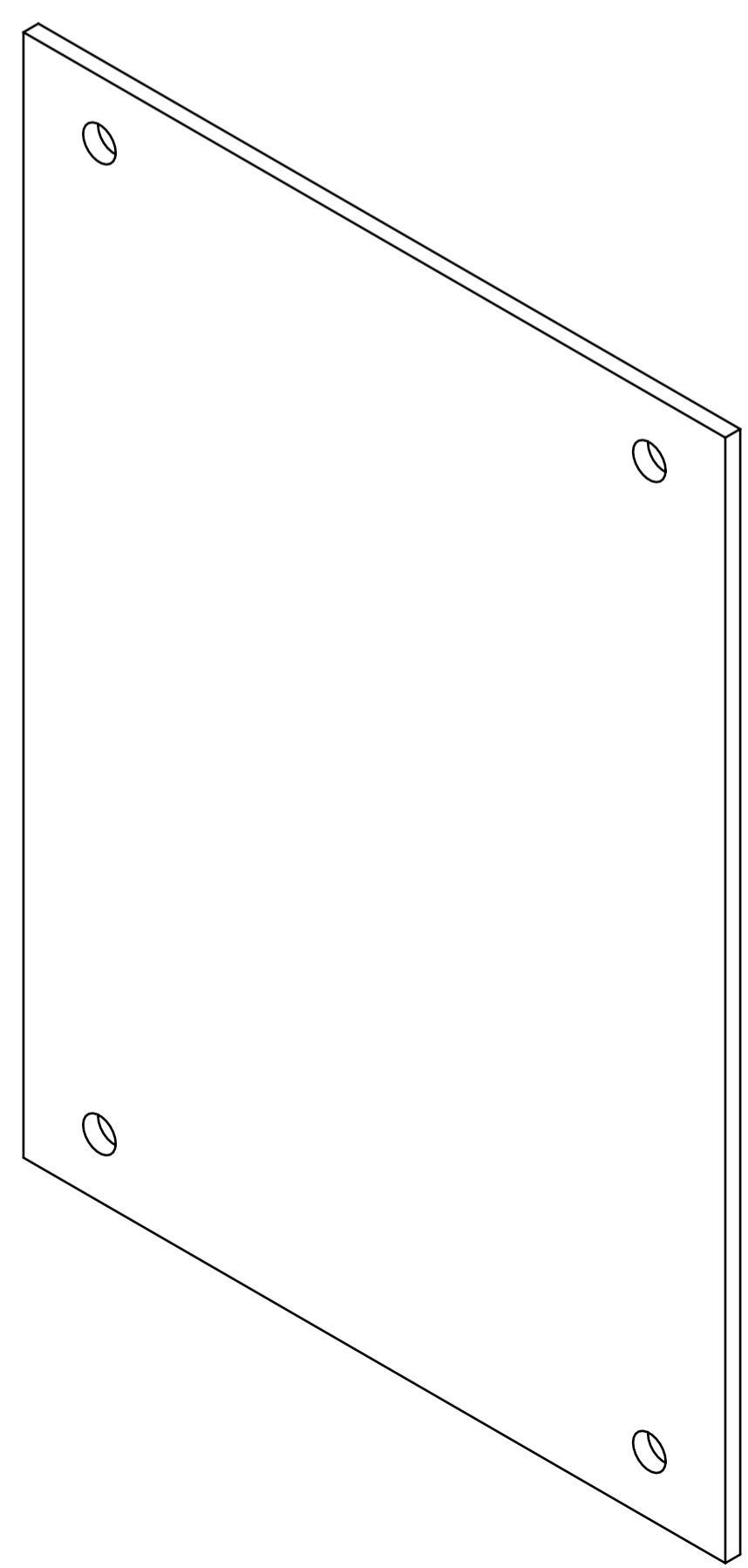
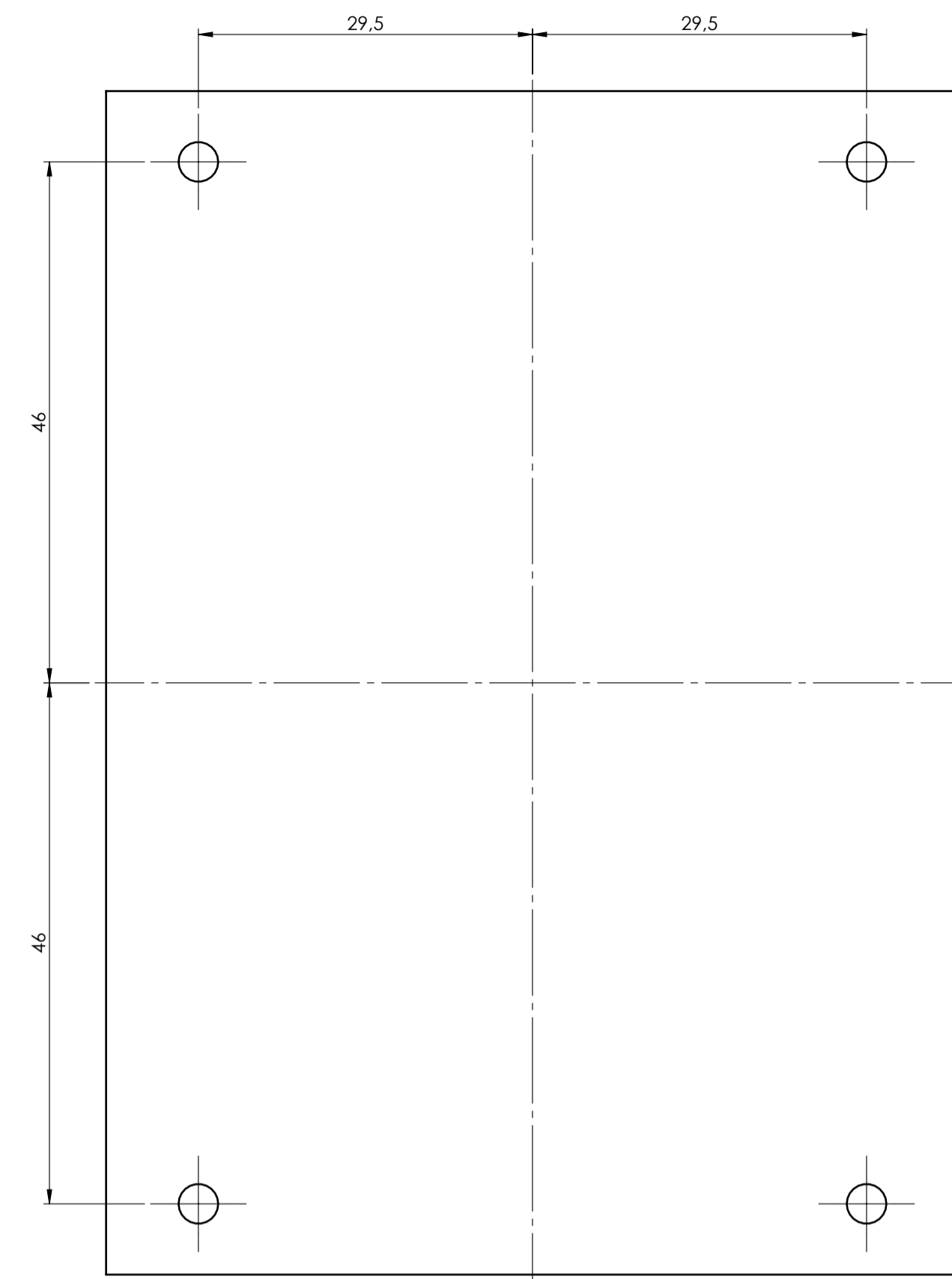
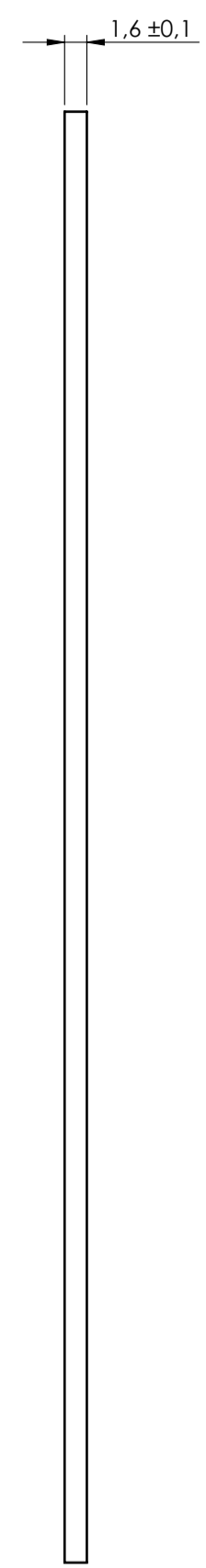
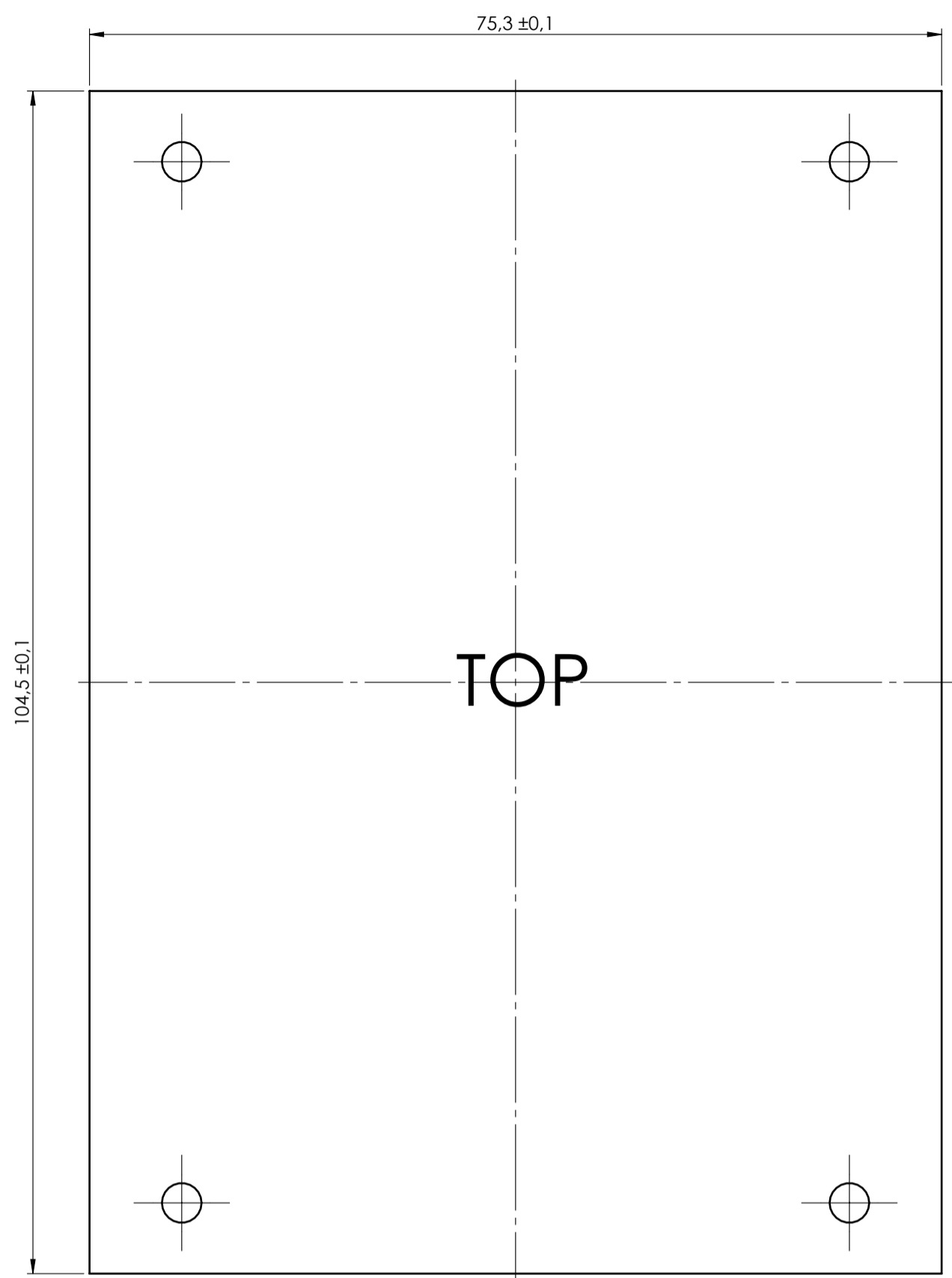


General Tolerance IIR EN 22768/1 Media [m]					Sheet:
from 0.5 to 3 ± 0.1	from 3 to 6 ± 0.1	from 6 to 30 ± 0.2	from 30 to 120 ± 0.3	from 120 to 400 ± 0.5	PCB V PLUG-IN
Scale:	2:1	Drawn:	M.S.	Checked:	R.N.
Date:	19/10/2023	Material:		Process:	
Dimension in mm		Replaces the:	R-03443-00	Derived from:	
		Weight:	gr	Cod. Mold:	
Description:					
KIT CONTENITORE RAILBOX PLUG-IN STANDARD 45 MM					
KIT ENCLOSURE RAILBOX PLUG-IN STANDARD 45 MM					
Drawing n°:					00 A1
3_110_00023					

NO COMPONENTS AREA



enclosures for electronics  
italtronic.com



General Tolerance IRI EN 22768/1 Media [m]					Sheet:
from 0.5 to 3	from 3 to 6	from 6 to 30	from 30 to 120	from 120 to 400	PCB V
± 0.1	± 0.1	± 0.2	± 0.3	± 0.5	Process:
Scale: 2:1	IM:	Drawn: M.S.	Checked: R.N.	Date: 19/10/2023	Material:
Dimension in mm	Replaces the:	Derived from:	Weight:	Cod. Mold:	
	R-03443-00	--	gr	--	
Description:					Rev: 00 A1
KIT CONTENITORE RAILBOX PLUG-IN STANDARD 45 MM					
KIT ENCLOSURE RAILBOX PLUG-IN STANDARD 45 MM					
Drawing by: <b>italtronic</b>					
italtronic.com					
3_110_00023					

NO COMPONENTS AREA