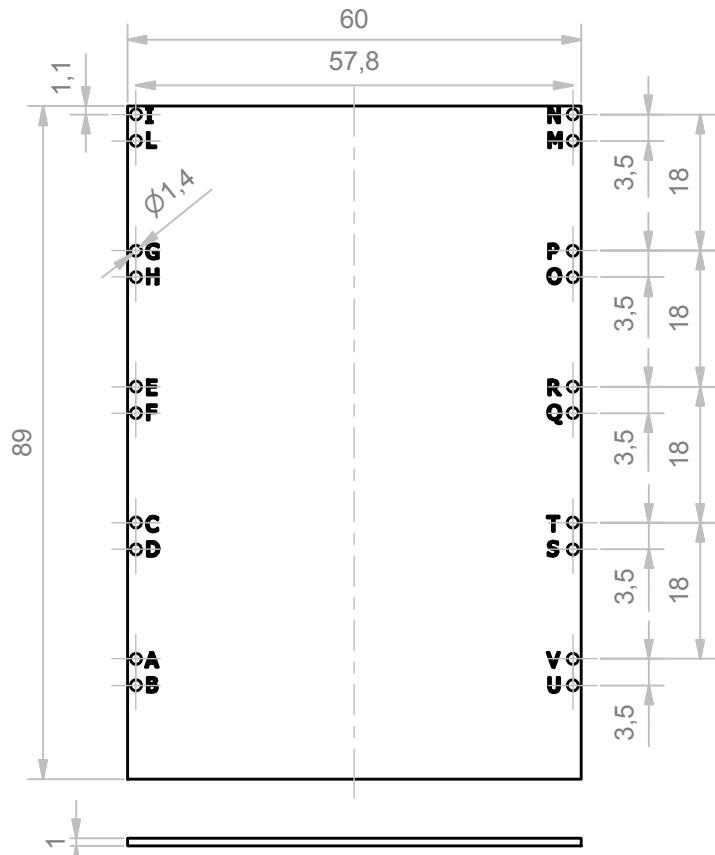
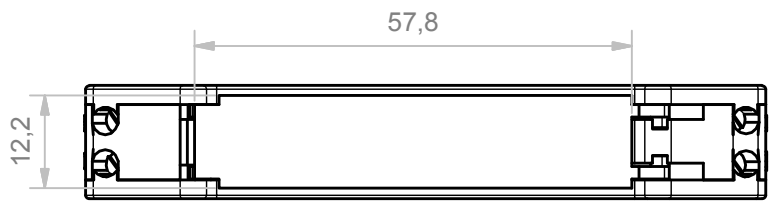
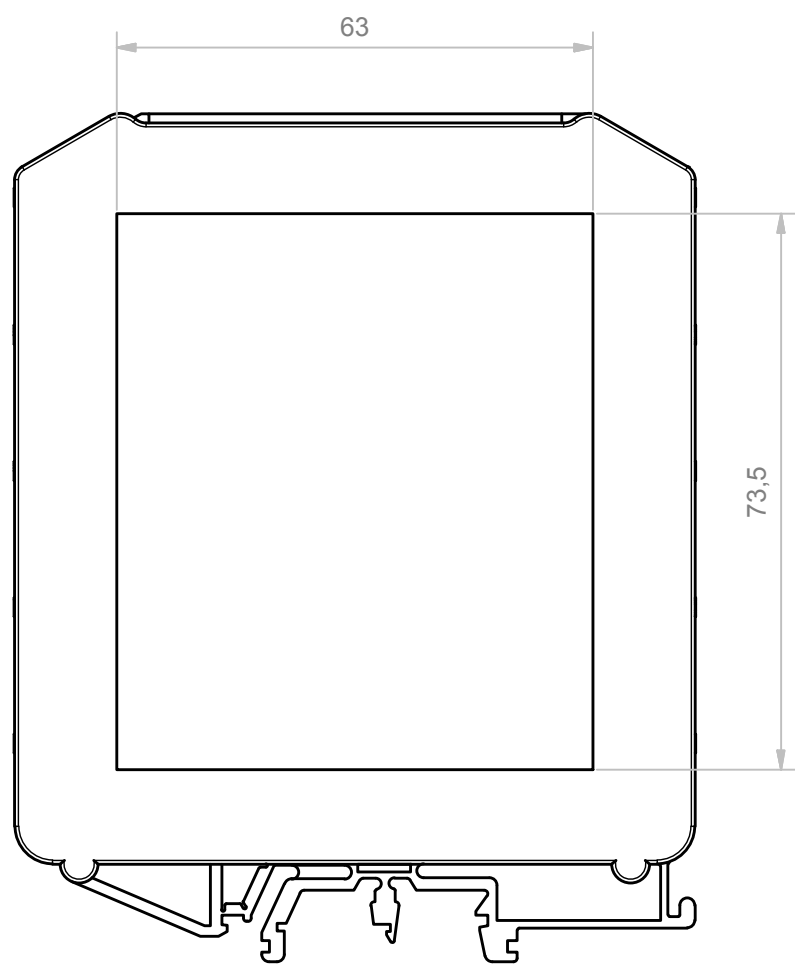
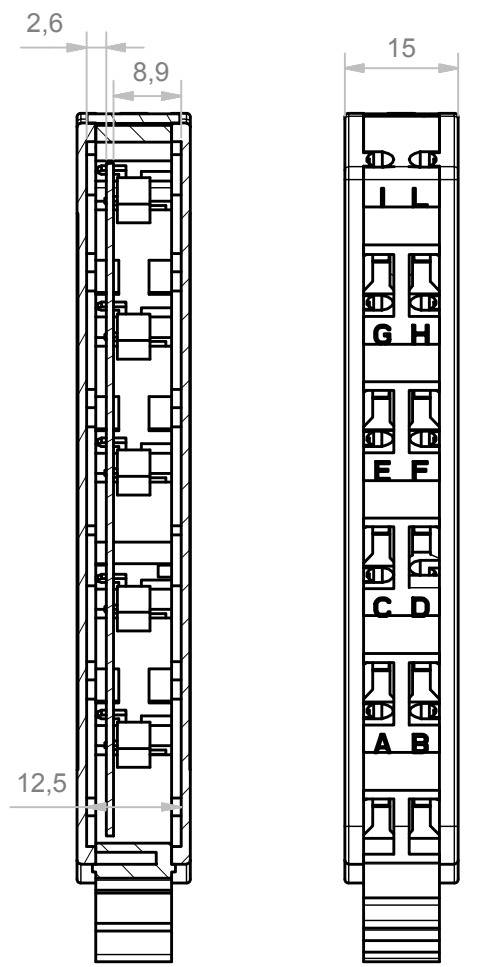
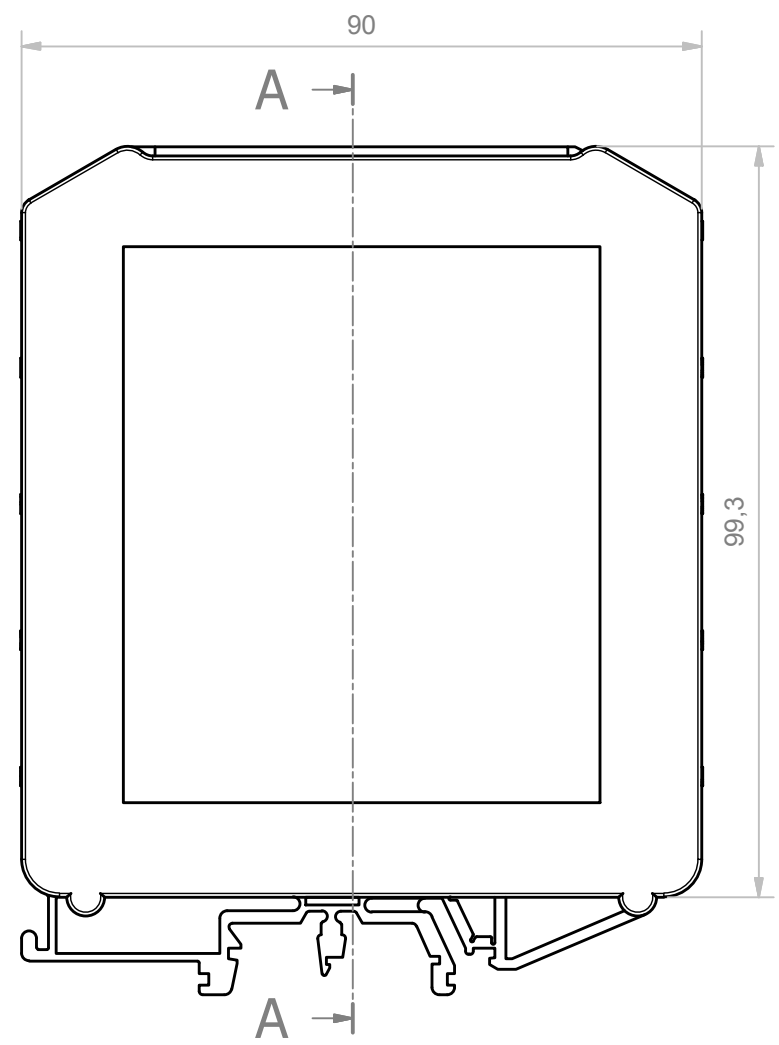


A-A (1:1)



TOLLERANZE PCB ± 0.1 mm

RESERVED PROPERTY: The present drawing cannot be reproduced or communicated to 3d parties, even partially, without the authorization of ITALTRONIC Srl. Italtronic reserves to protect its own rights according to the law.				5	4	3	2	1
GENERAL TOLERANCE	UNI EN 22768/1 Media (m)	Drawn:	Rigato N.	Checked:	Fanin F.	Revision description		
SHEET NR.	1 / 1	DRAWING BY	GAP	Date:	15/03/2017	Scale: 1 : 1		
		Manual modification are not allowed		Replace nr.		Part number:		
		Denomination:				ENCLOSURE 15 MM T 15 P20 WITH 20 TERMINAL BLOCKS		
				VIA AUSTRIA 25/D 35127 PADOVA - ITALY <a href="http://www.italtronic.com">www.italtronic.com</a>		Drawing nr.		
						G-06915-00		