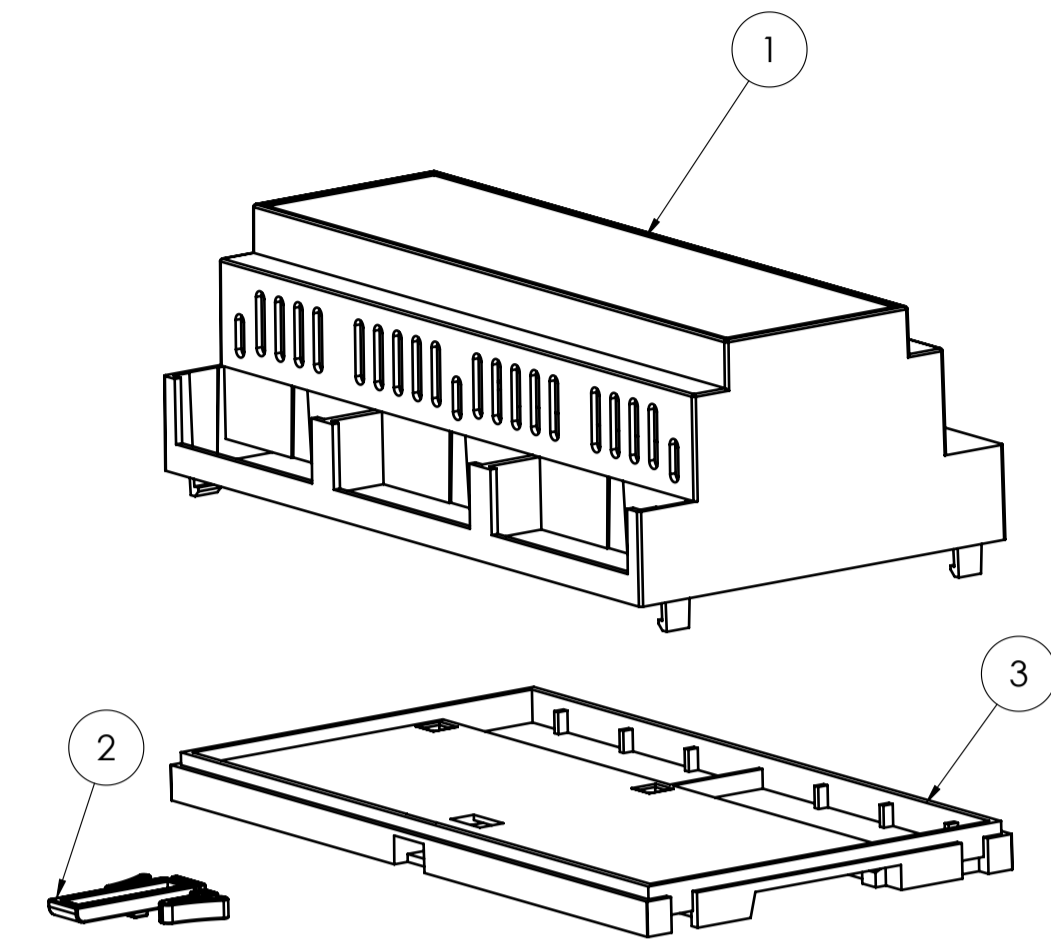
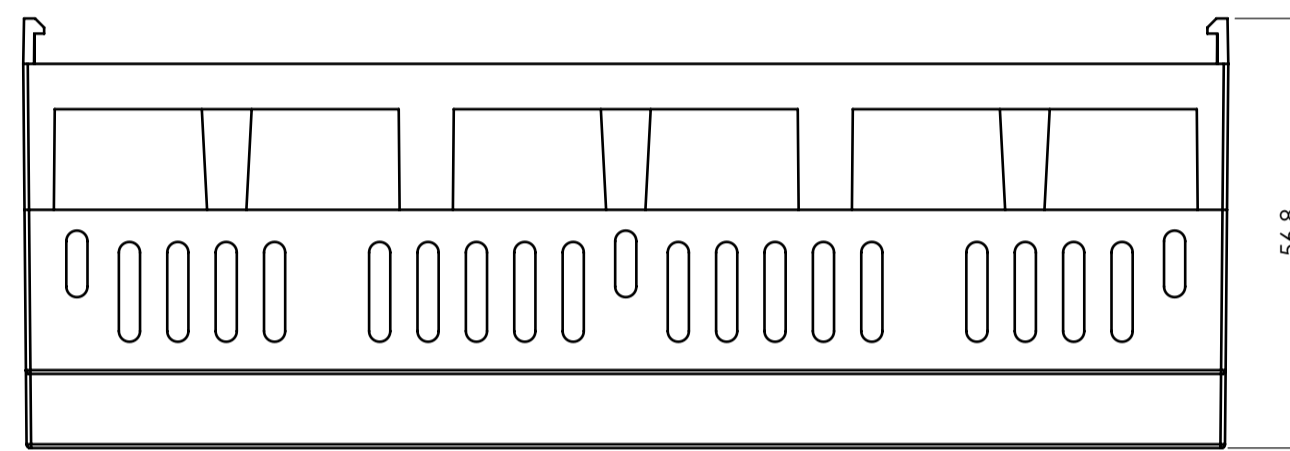
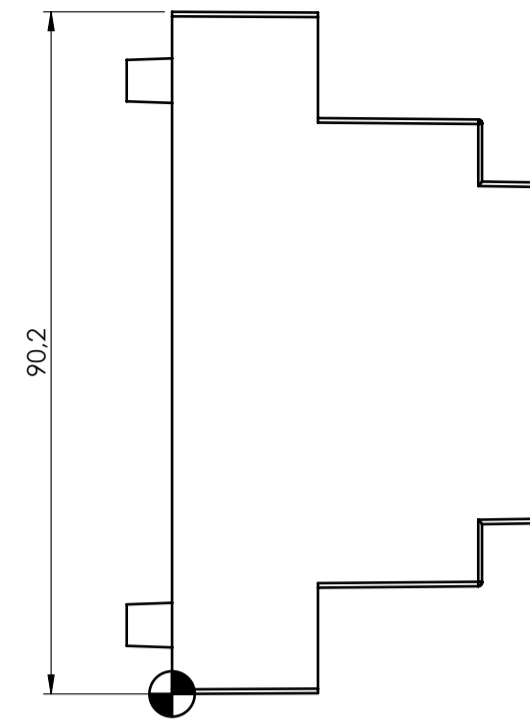
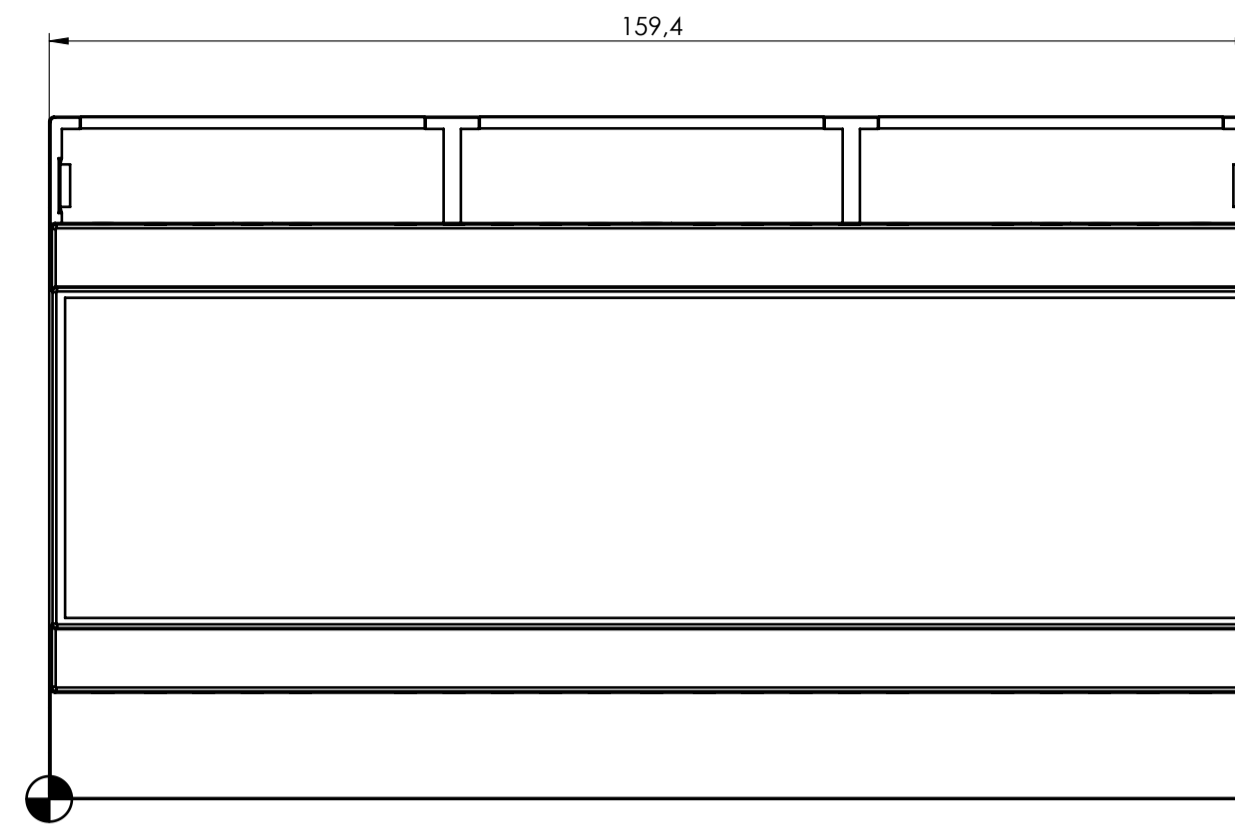
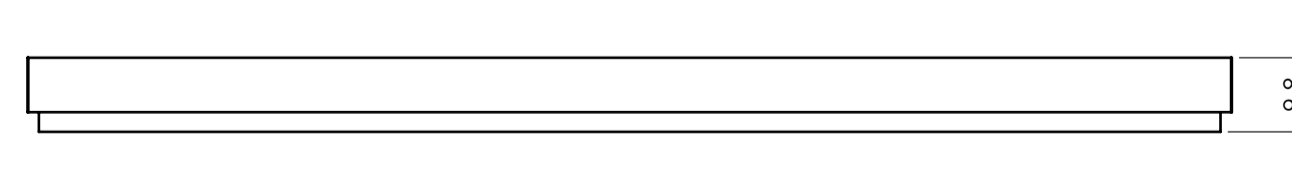
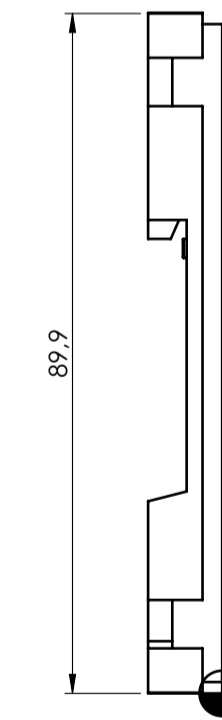
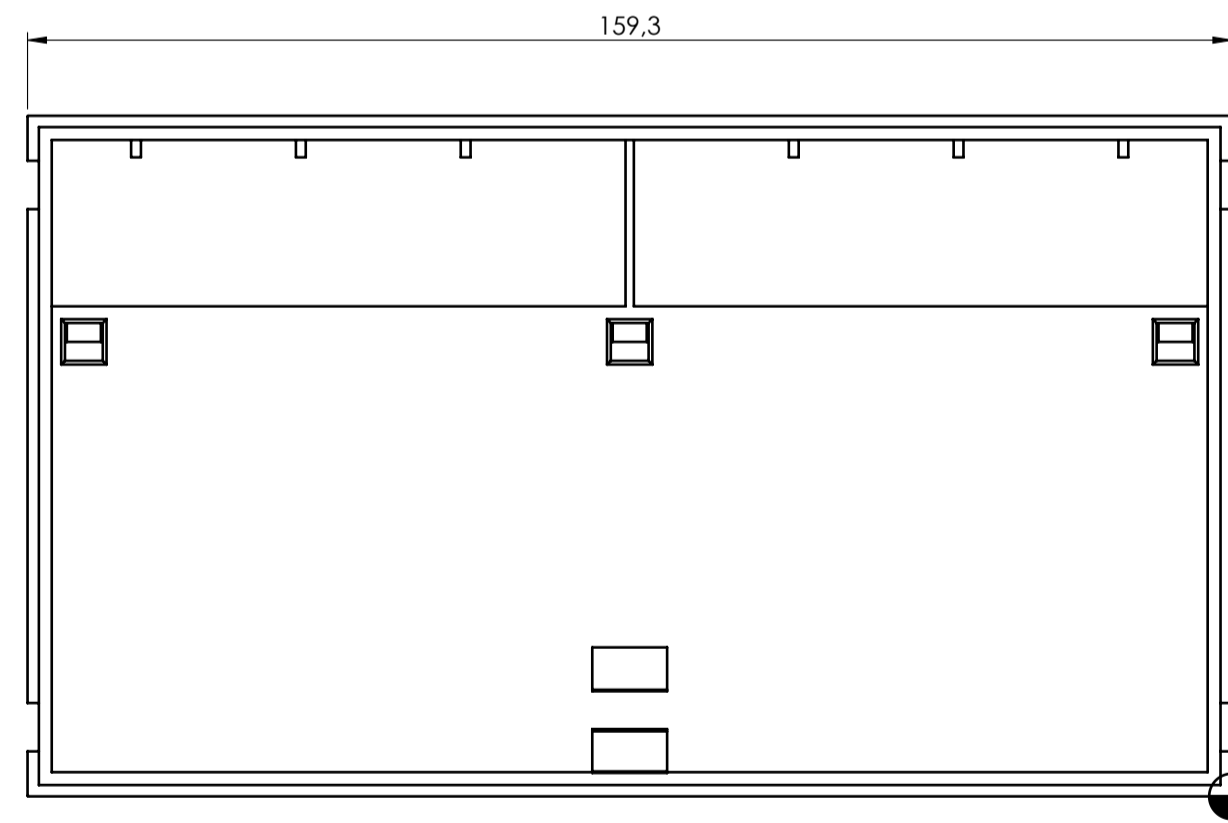


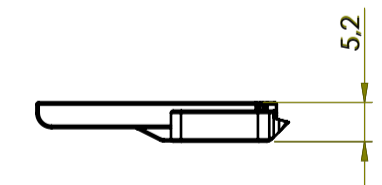
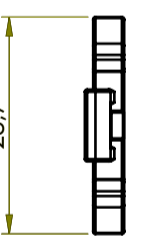
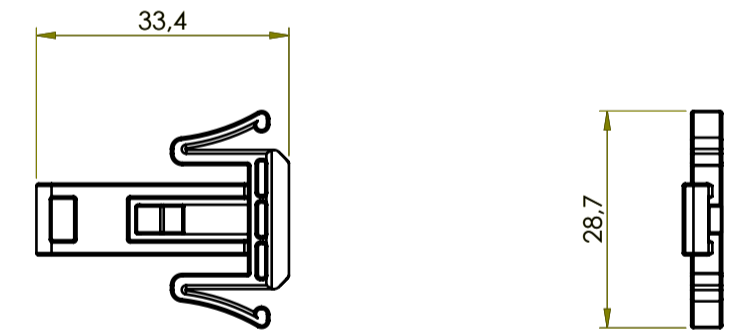
BODY ENCLOSURE



BASE



HOOK



General information:
 - Workpiece zero point for mechanical processing
 - Minimum recommended radius for machining = R1.0 mm
 - Mounting rail like EN 60715: TH 35-7.5 or TH 35-15
 - Recommended PCB outline on www.italtronic.com

RIF.	Q.TY	DRAWING	DESCRIPTION
1	1	2_250_00124	BODY ENCLOSURE MODULBOX 9MCS3V
2	1	2_250_00079	HOOK FOR MODULBOX ONE
3	1	2_250_00192	BASE MODULBOX 9M

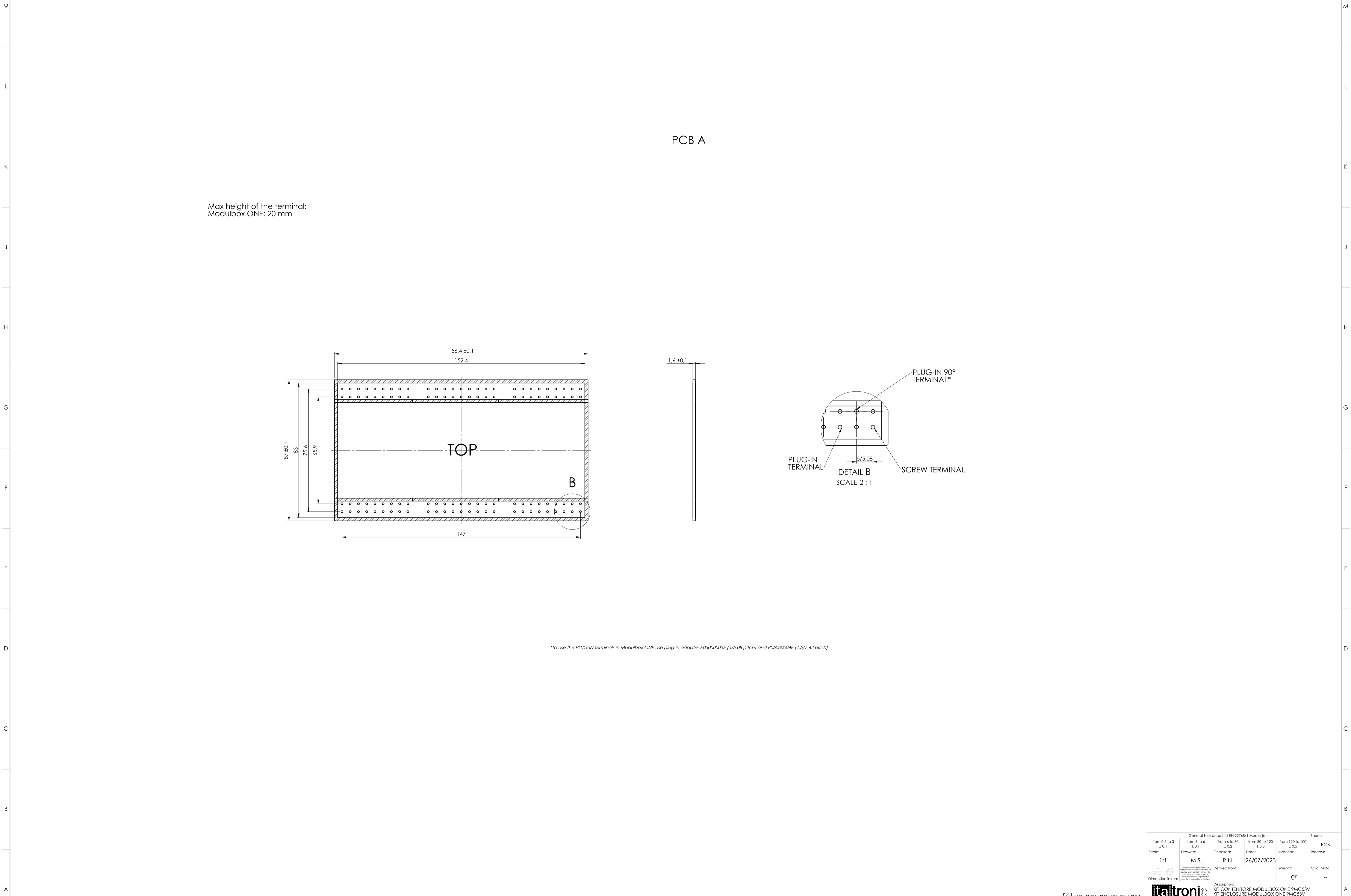
General Tolerances (UNE EN 22768/1) Media [m]

from 0.5 to 3	from 3 to 6	from 6 to 30	from 30 to 120	from 120 to 400
± 0.1	± 0.1	± 0.2	± 0.3	± 0.5

Scale: 1:1
 Drawn: M.S.
 Checked: R.N.
 Date: 26/07/2023
 Material: --
 Process: --
 Dimension in mm: --
 Weight: gr
 Cod. Mold: --

Description:
 KIT CONTENITORE MODULBOX ONE 9MCS3V
 KIT ENCLOSURE MODULBOX ONE 9MCS3V
 Drawing n°: **3_250_00174**

Rev: 00
 A1



Max height of the terminal:
Modulbox ONE: 20 mm

PCB A

*To use the PLUG-IN terminals in Modulbox ONE use plug-in adapter P05000003E (5/5.08 pitch) and P05000004E (7.5/7.62 pitch)

General Tolerance UNE EN 22768/1 Media [m]				Sheet:	
from 0.5 to 3 ± 0.1	from 3 to 6 ± 0.1	from 6 to 30 ± 0.2	from 30 to 120 ± 0.3	from 120 to 400 ± 0.5	PCB
Scale:	Drawn:	Checked:	Date:	Material:	Process:
1:1	M.S.	R.N.	26/07/2023		
Dimension in mm	Derived from:		Weight:	Cod. Mold:	
	---		gr	--	
Description:				Rev:	
KIT CONTENITORE MODULBOX ONE 9MC53V KIT ENCLOSURE MODULBOX ONE 9MC53V				00 A1	
Drawing nr:				3_250_00174	
Italtironi enclosures for electronics italtironi.com					

NO COMPONENTS AREA