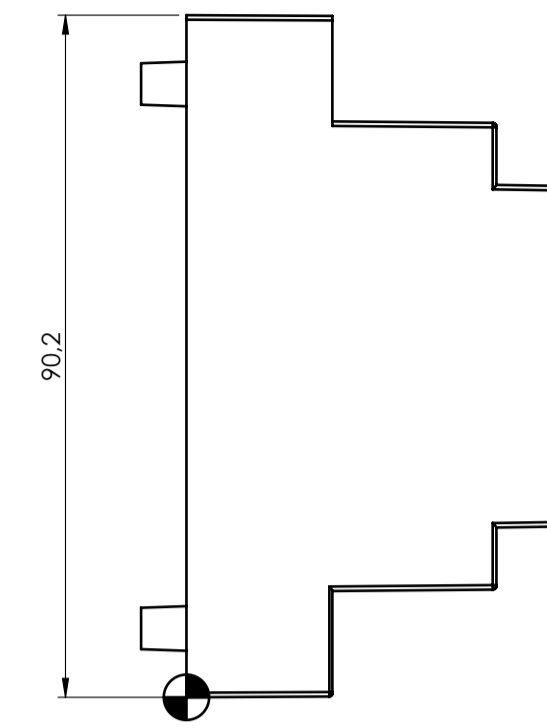
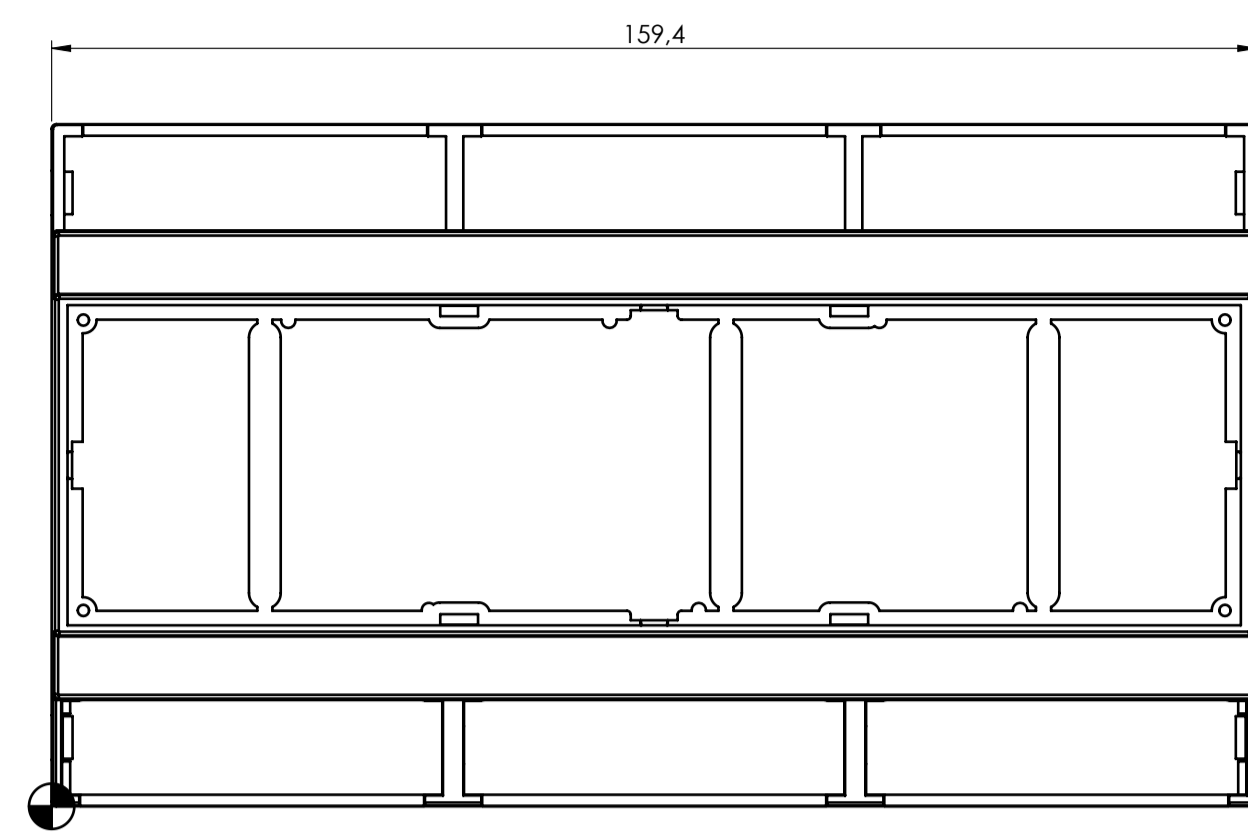
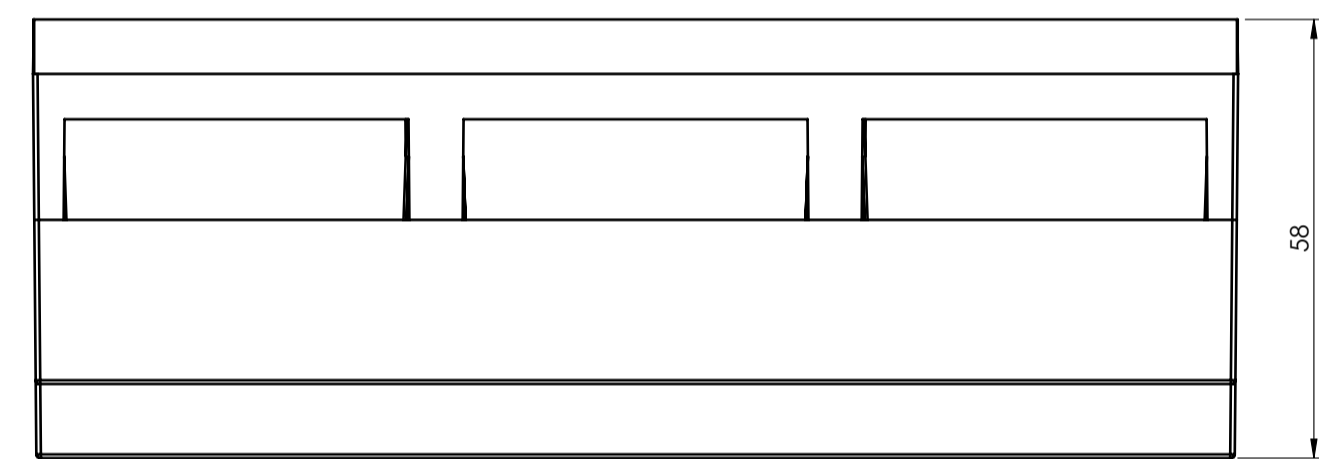
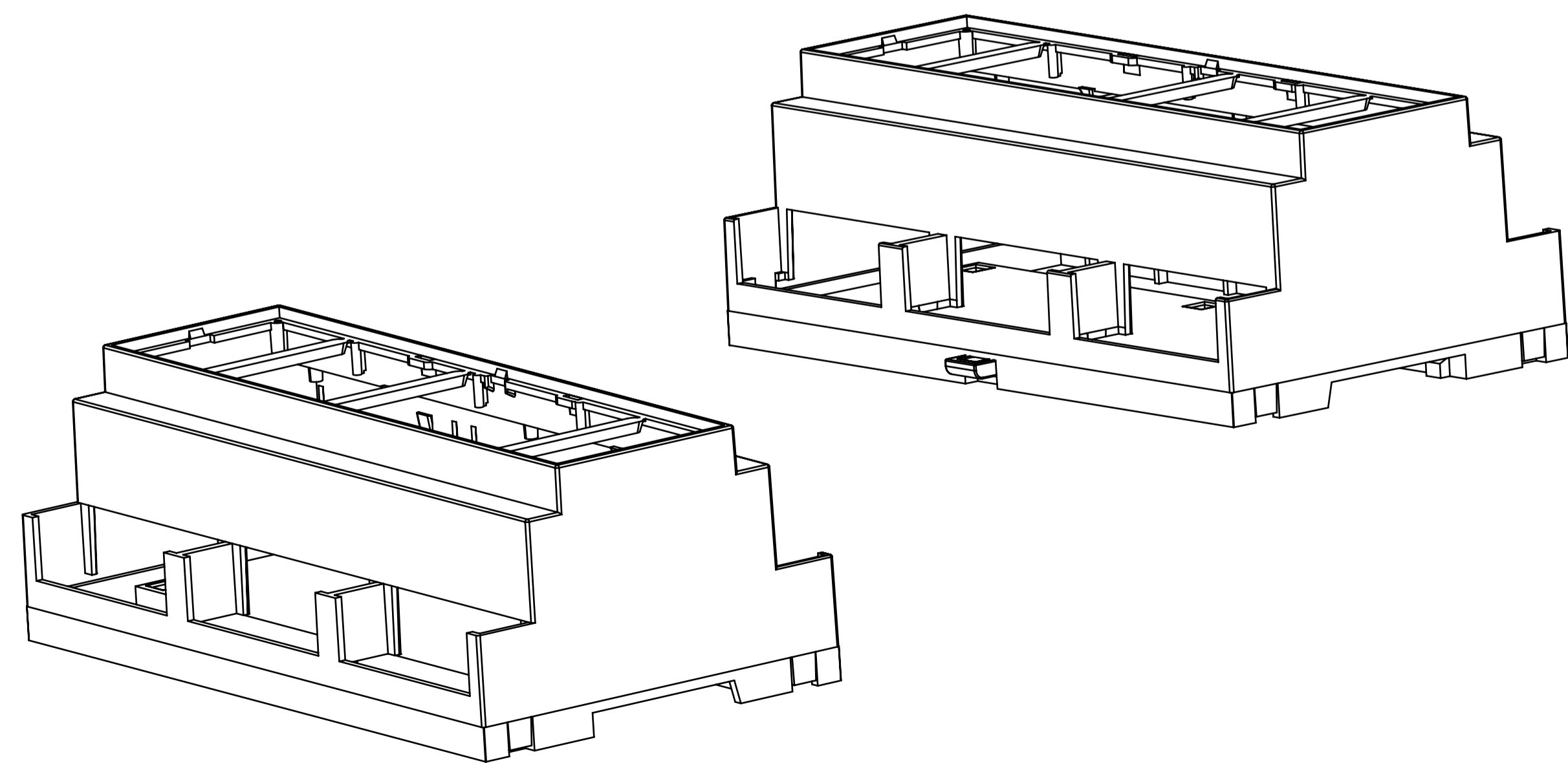
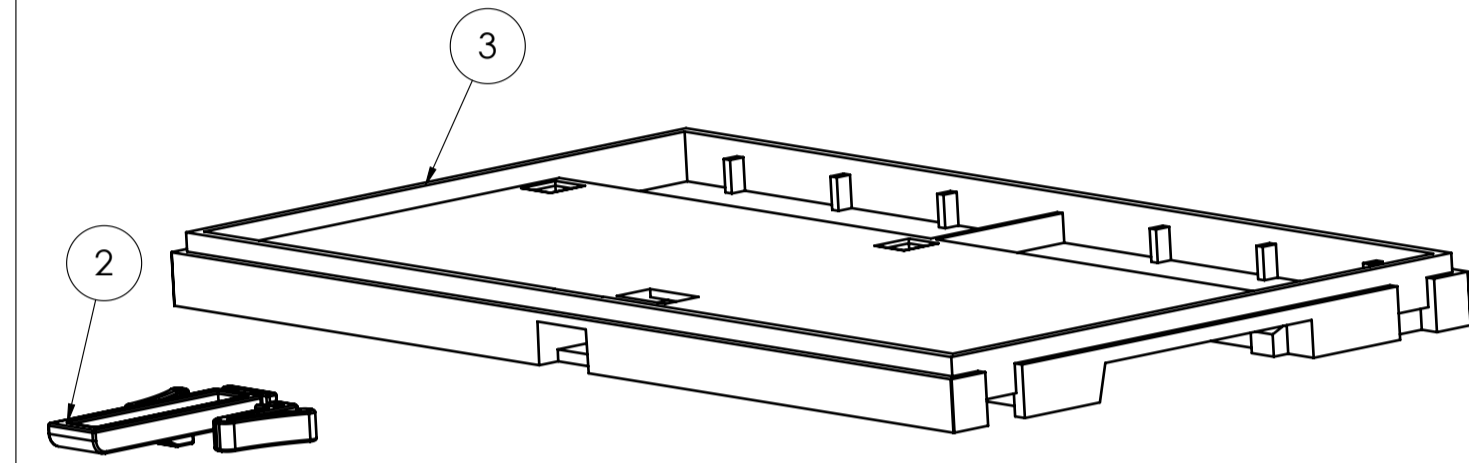
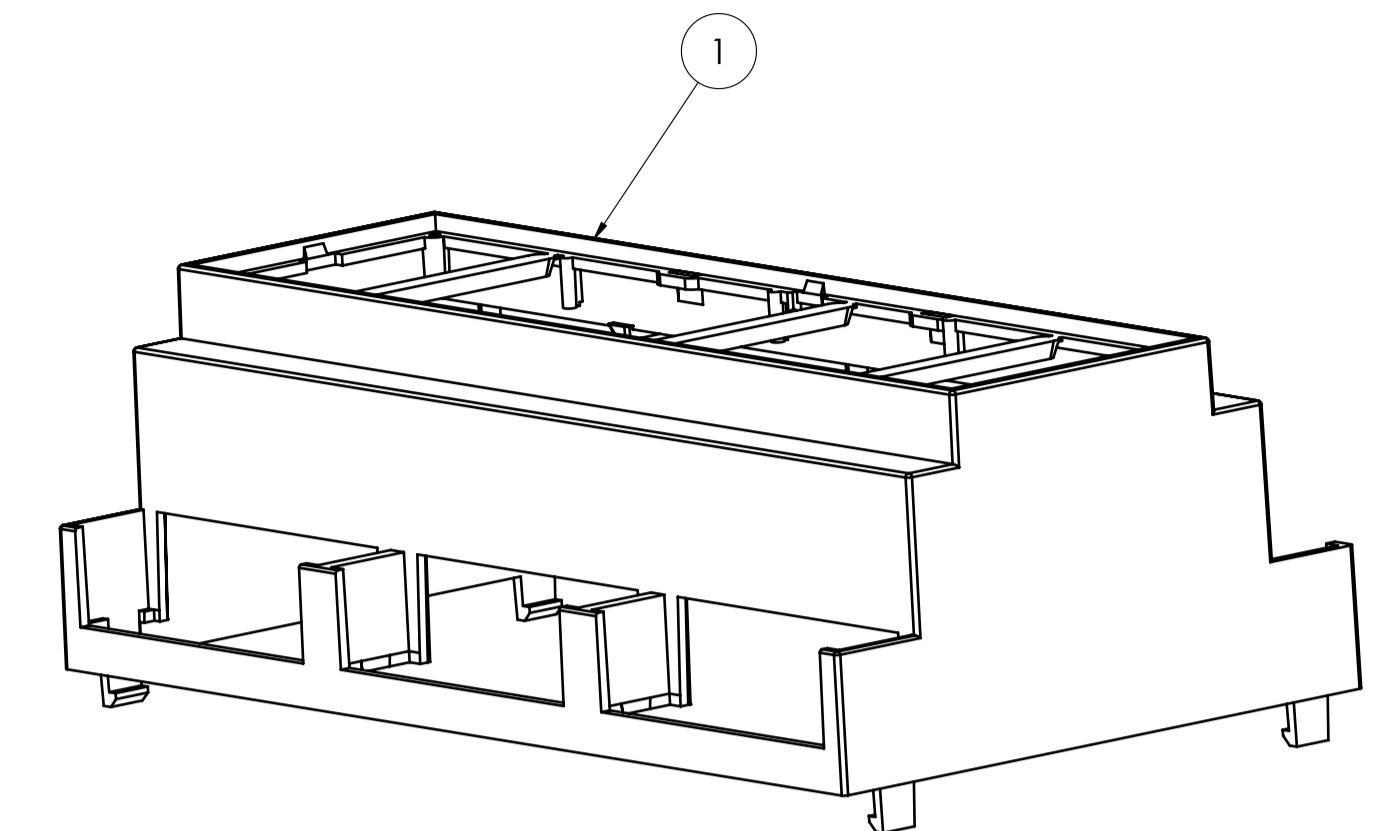
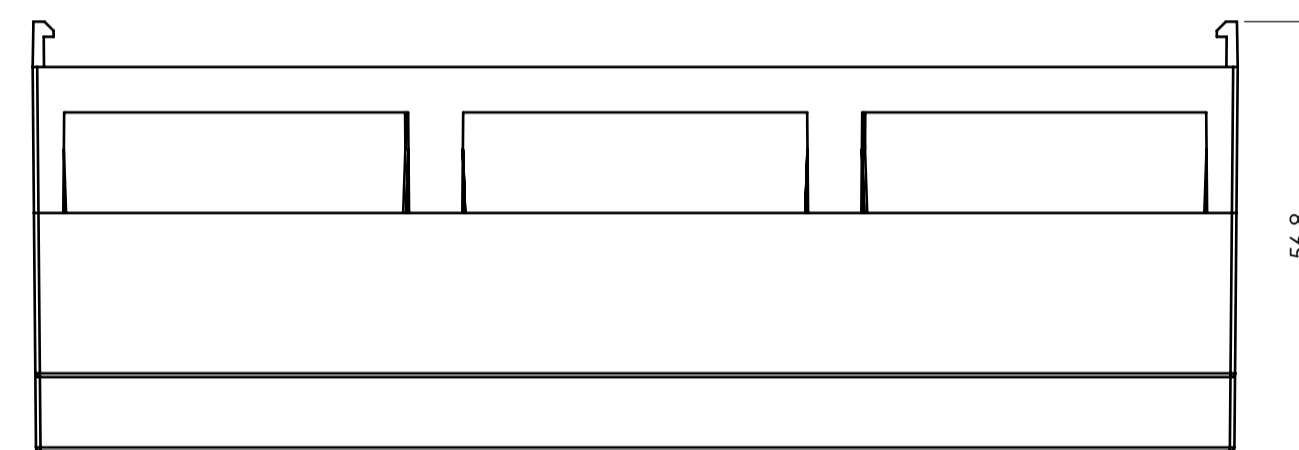


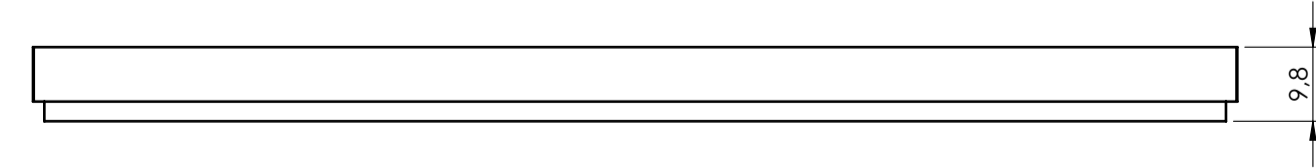
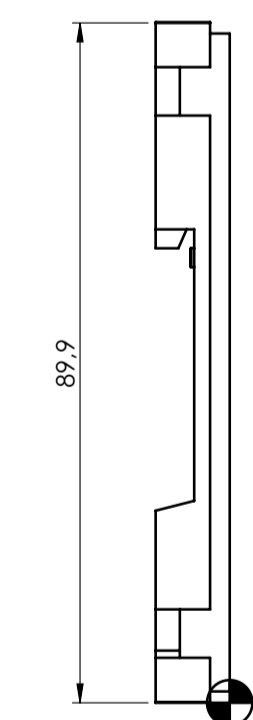
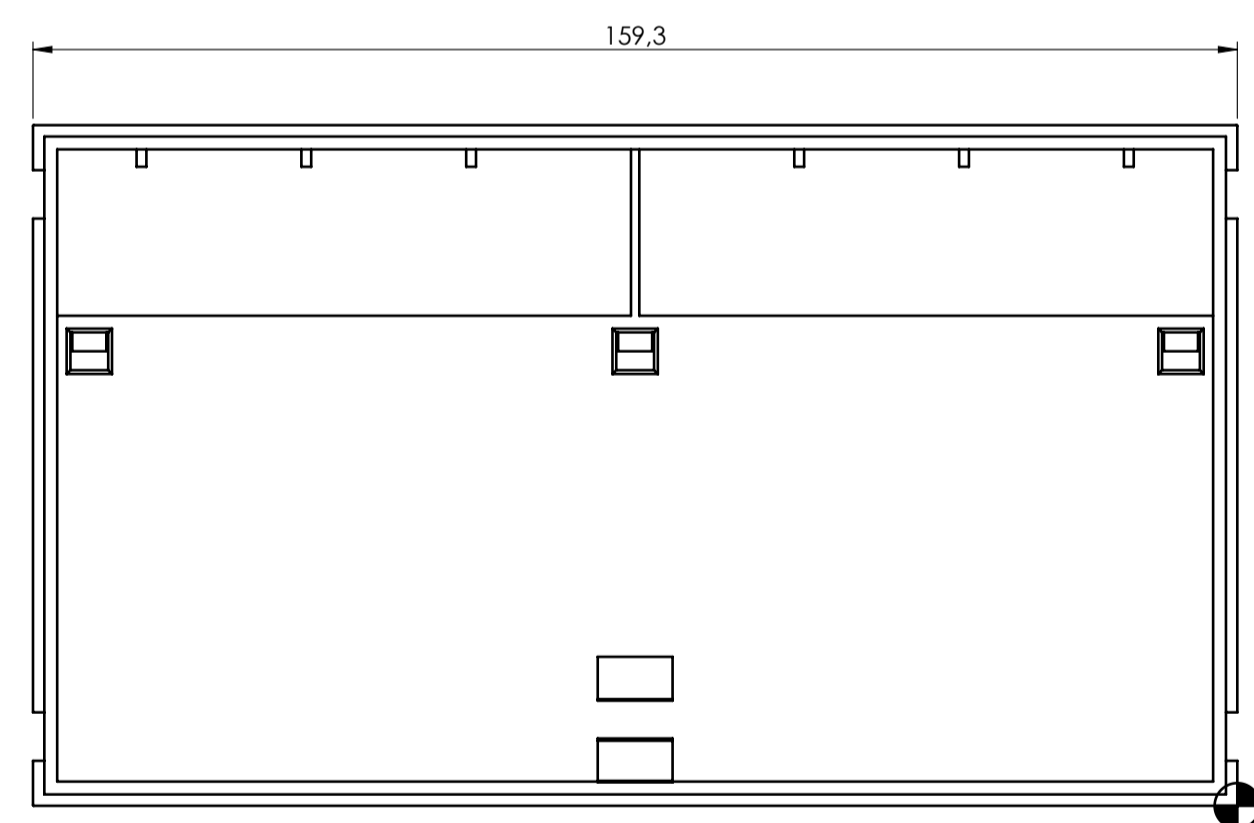
SECTION A-A



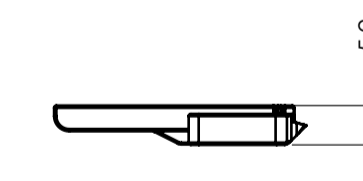
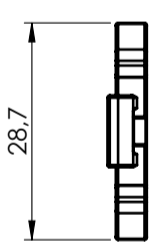
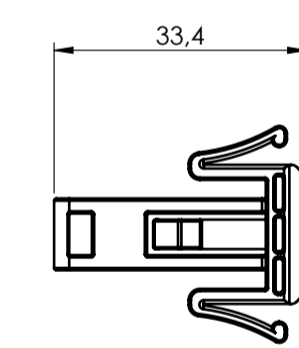
BODY ENCLOSURE



BASE



HOOK



General information:  
 - Workpiece zero point for mechanical processing  
 - Minimum recommended radius for machining = R1.0 mm  
 - Mounting rail like EN 60715; TH 35-7.5 or TH 35-15  
 - Recommended PCB outline on [www.italtronic.com](http://www.italtronic.com)

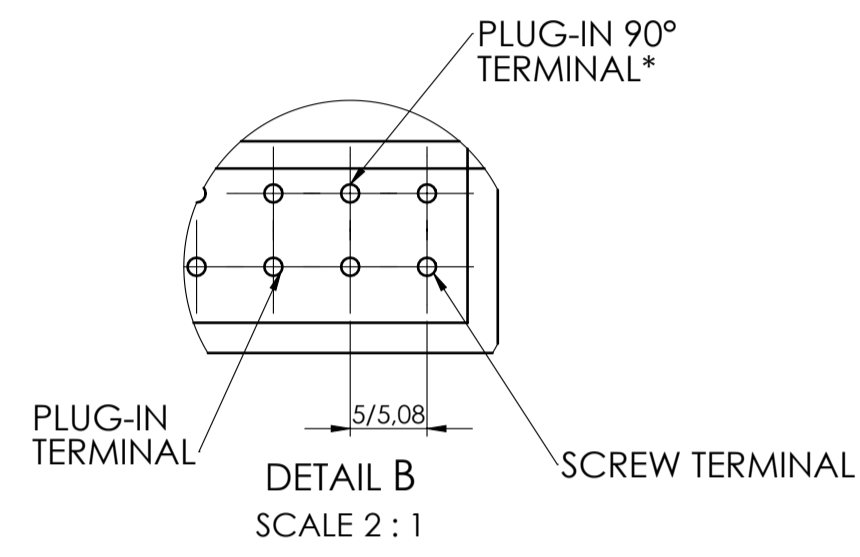
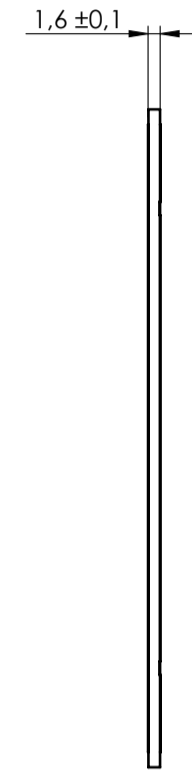
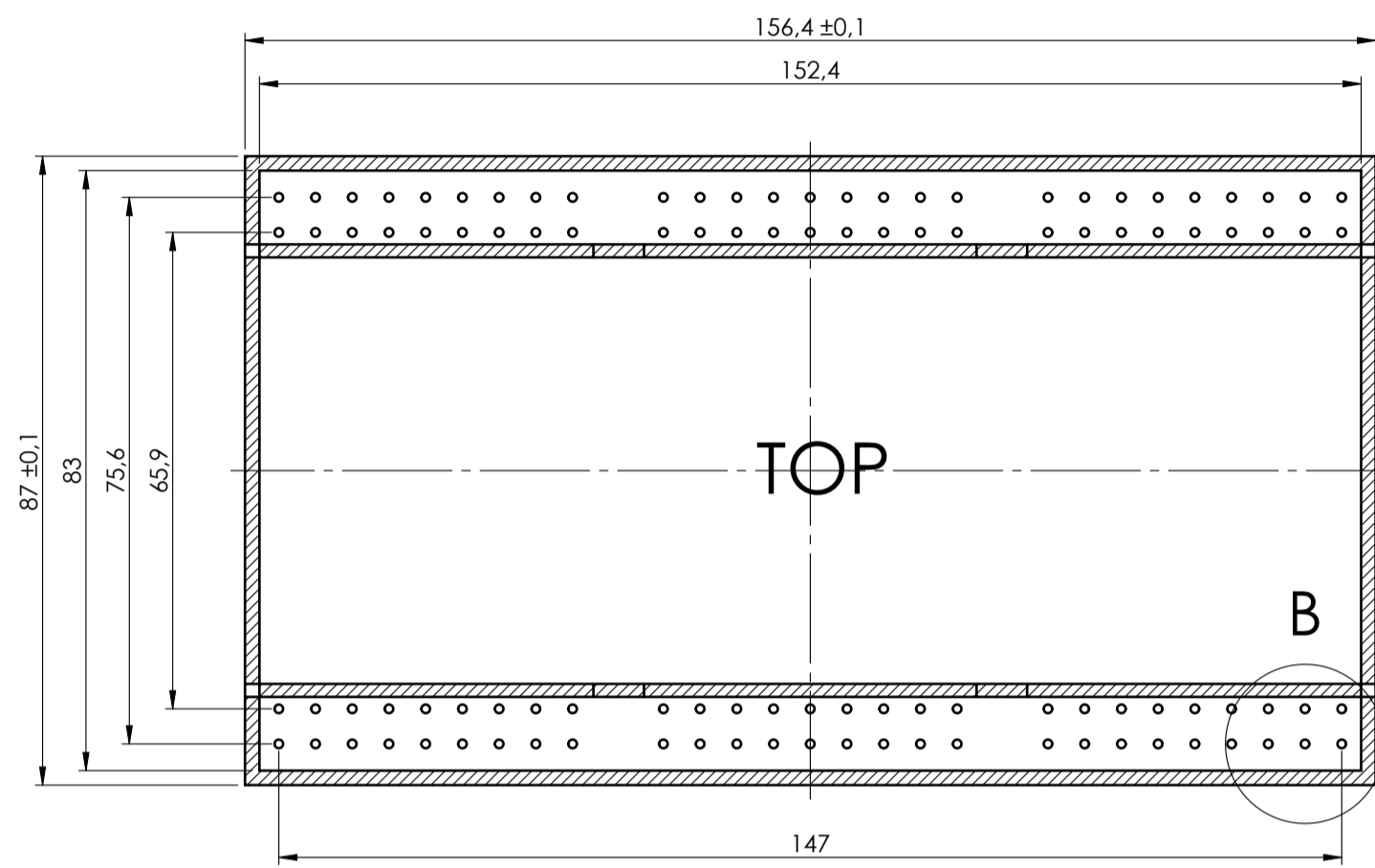
RIF.	Q.TY	DRAWING	DESCRIPTION
1	1	2_250_00194	BODY ENCLOSURE MODULBOX ONE 9MDH53
2	1	2_250_00079	HOOK FOR MODULBOX ONE
3	1	2_250_00192	BASE MODULBOX ONE 9M

Dimension in mm	from 0.5 to 3	from 3 to 6	from 6 to 30	from 30 to 120	from 120 to 400	Sheet:
General Tolerance (Ref. EN 22768/1) Media [m]	±0.1	±0.1	±0.2	±0.3	±0.5	1
Scale:	1:1	M.S.	R.N.	26/07/2023		
Drawn by:		Checked:		Date:		
Derived from:		Weight:		Cod. Mod:		
Description:						
KIT CONTENITORE MODULBOX ONE 9MDH53						
KIT ENCLOSURE MODULBOX ONE 9MDH53						
Drawing n°:						
3_250_00170						
Rev:						
00						A1

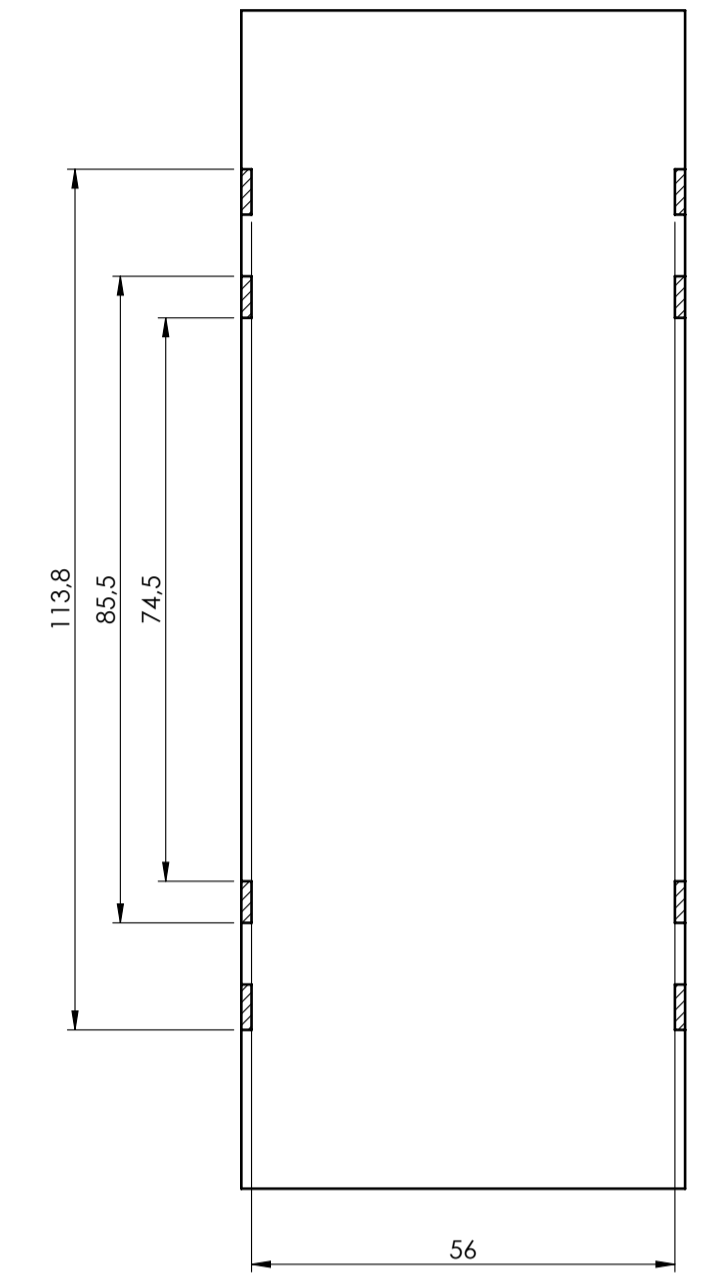
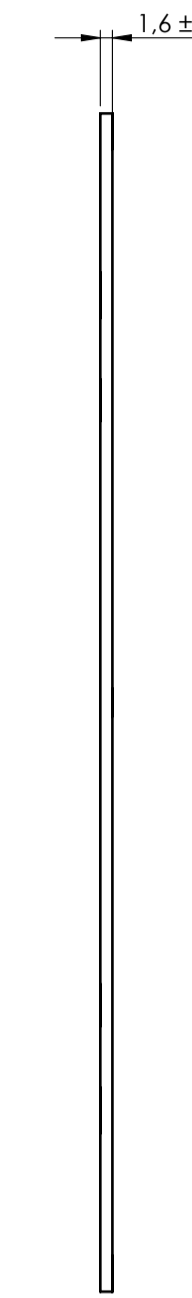
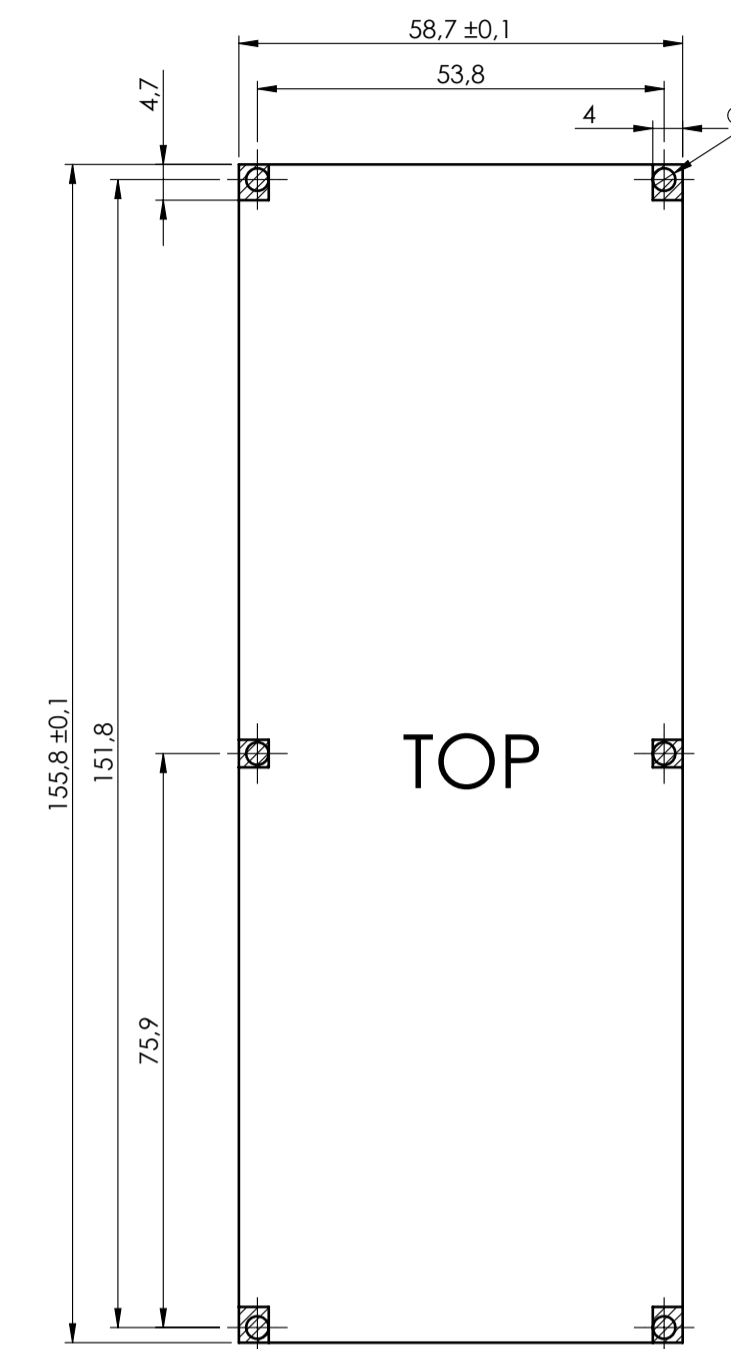
PCB A

Max height of the terminal:  
Modulbox ONE: 20 mm

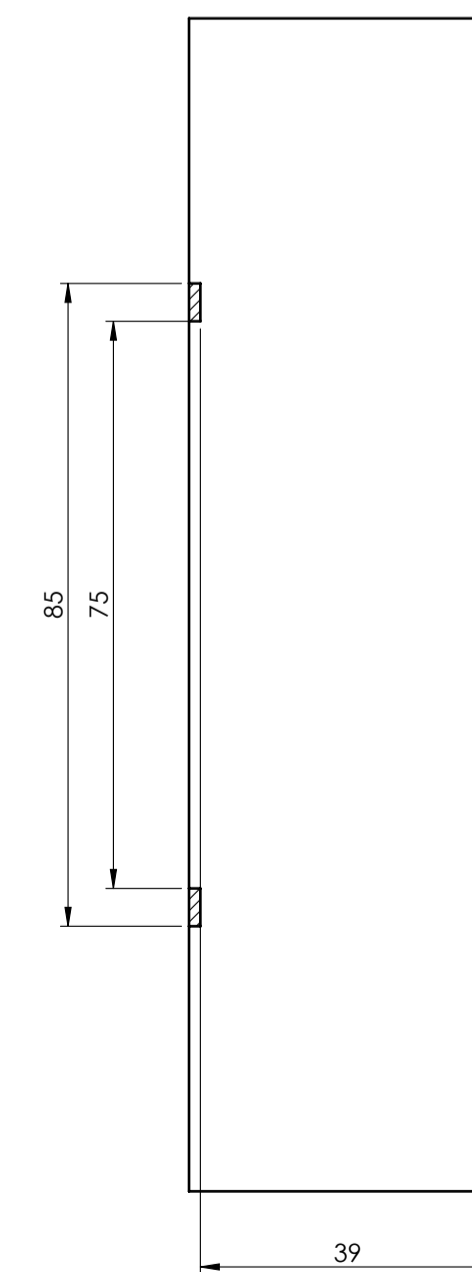
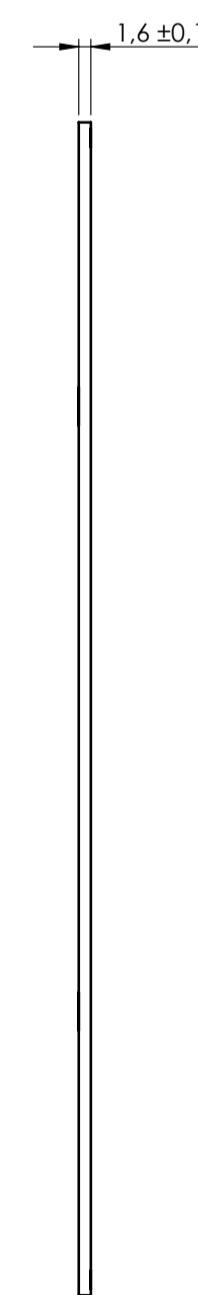
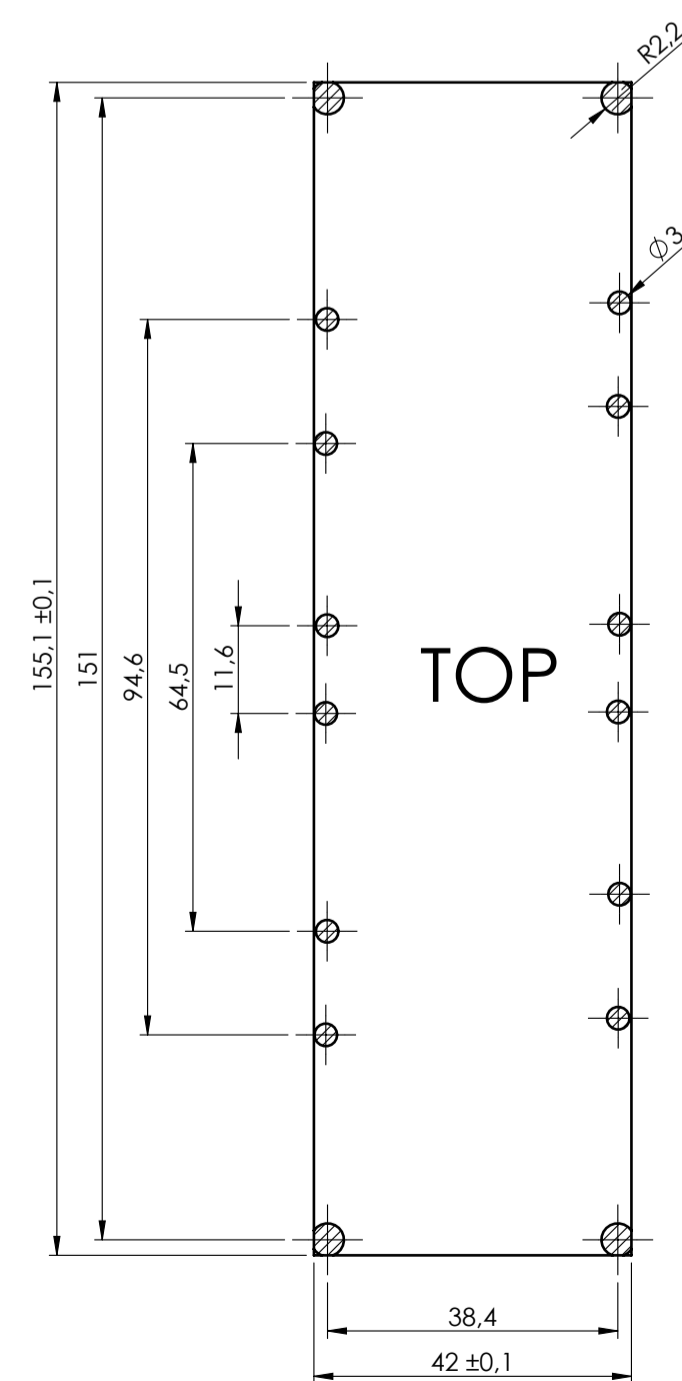


\*To use the PLUG-IN terminals in Modulbox ONE use plug-in adapter P05000003E (5/5.08 pitch) and P05000004E (7.5/7.62 pitch)

PCB B



PCB C



General Tolerance UNE EN 22768/1 Media (m)				Sheet:	
from 0.5 to 3 ± 0.1	from 3 to 6 ± 0.1	from 6 to 30 ± 0.2	from 30 to 120 ± 0.3	from 120 to 400 ± 0.5	PCB
Scale:	Drawn:	Checked:	Date:	Material:	Process:
1:1	M.S.	R.N.	26/07/2023		
Description:			Weight:	Cod. Mold:	
KIT CONTENITORE MODULBOX ONE 9MDH53 KIT ENCLOSURE MODULBOX ONE 9MDH53			gr	--	
Drawing nr:			Rev.:		
3_250_00170			00 A1		

NO COMPONENTS AREA



enclosures for electronics  
3\_250\_00170