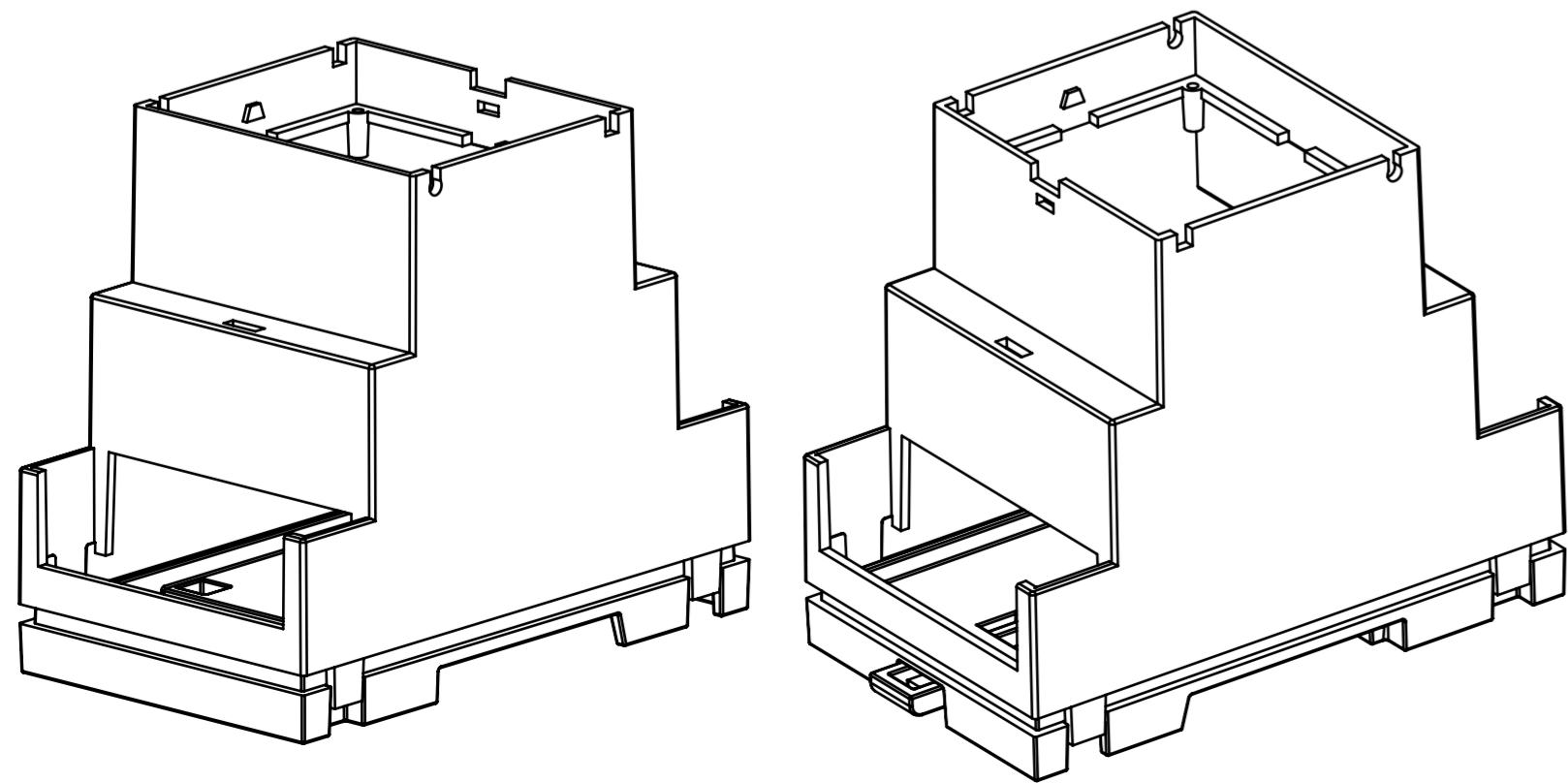
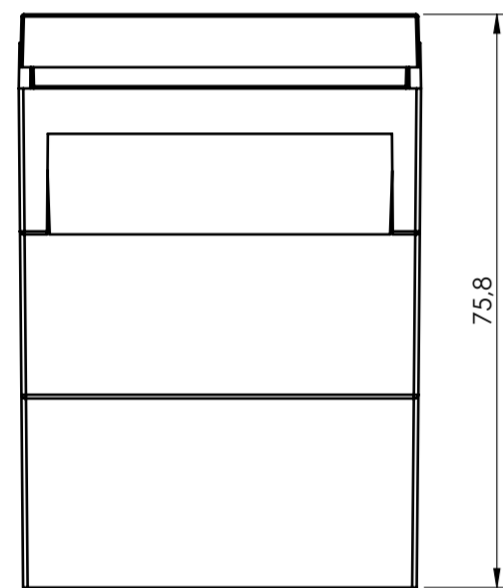
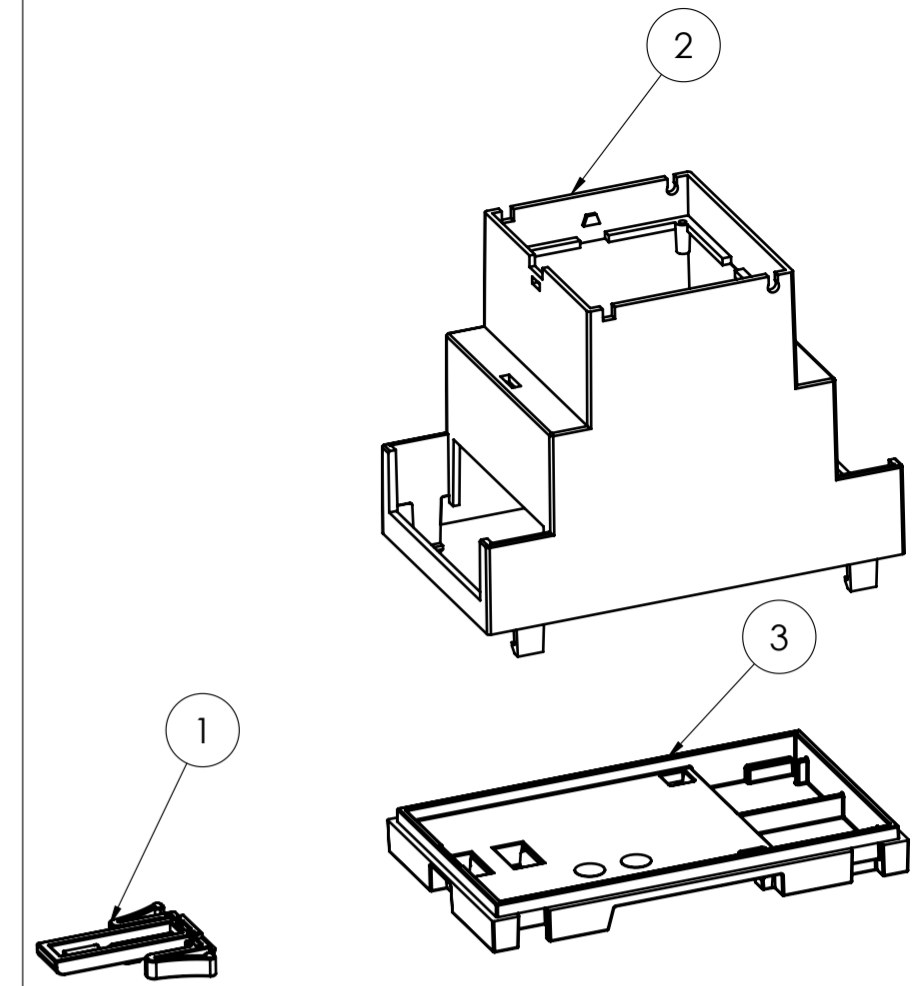
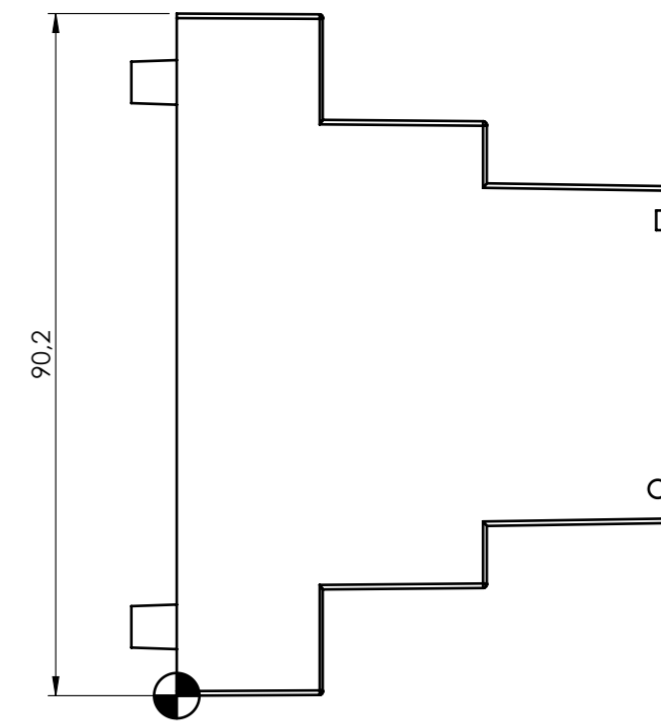
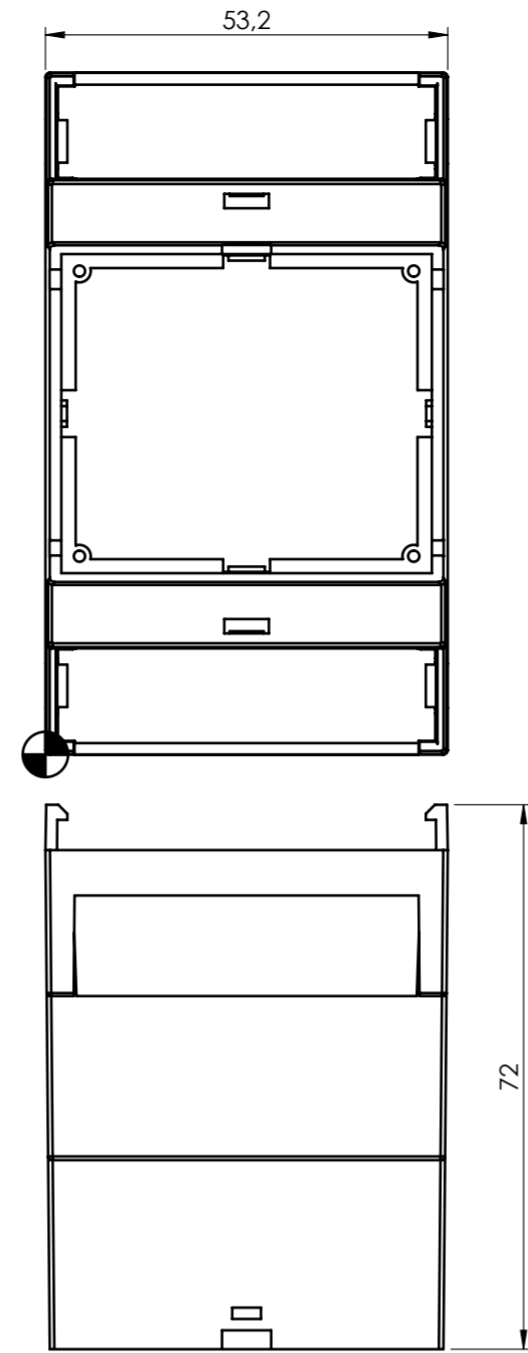


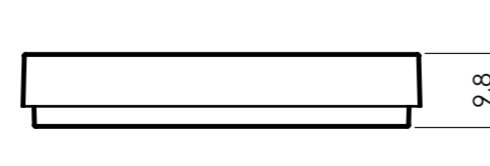
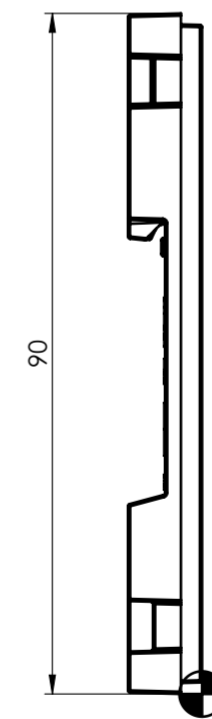
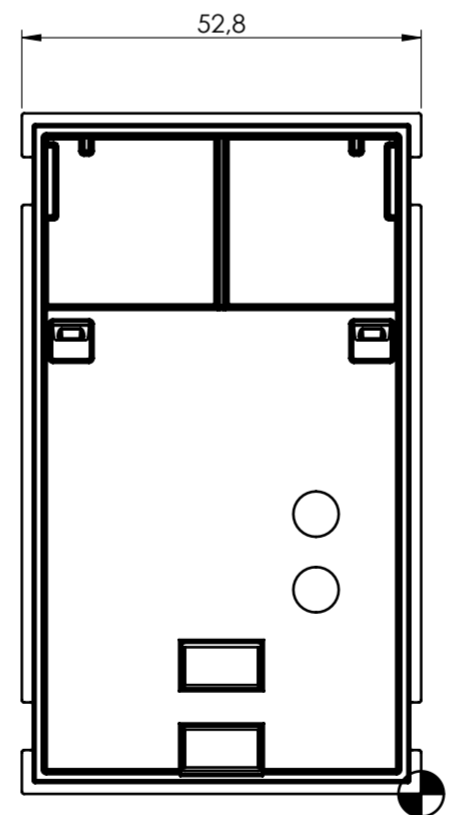
SECTION A-A



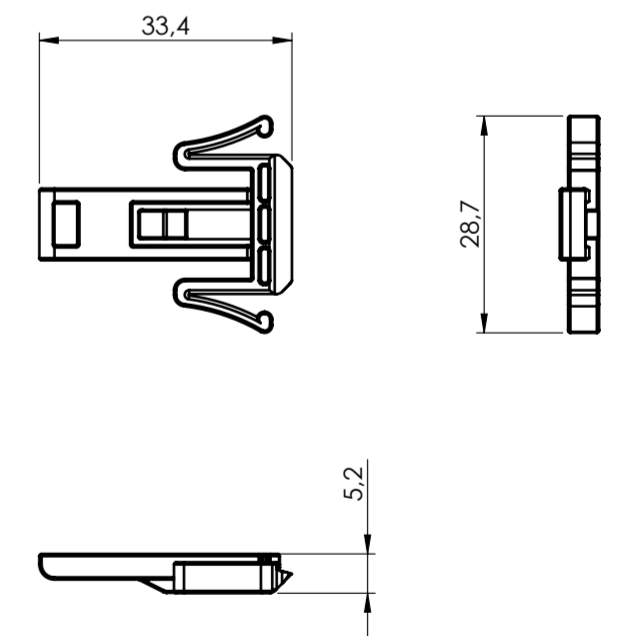
BODY ENCLOSURE



BASE



HOOK

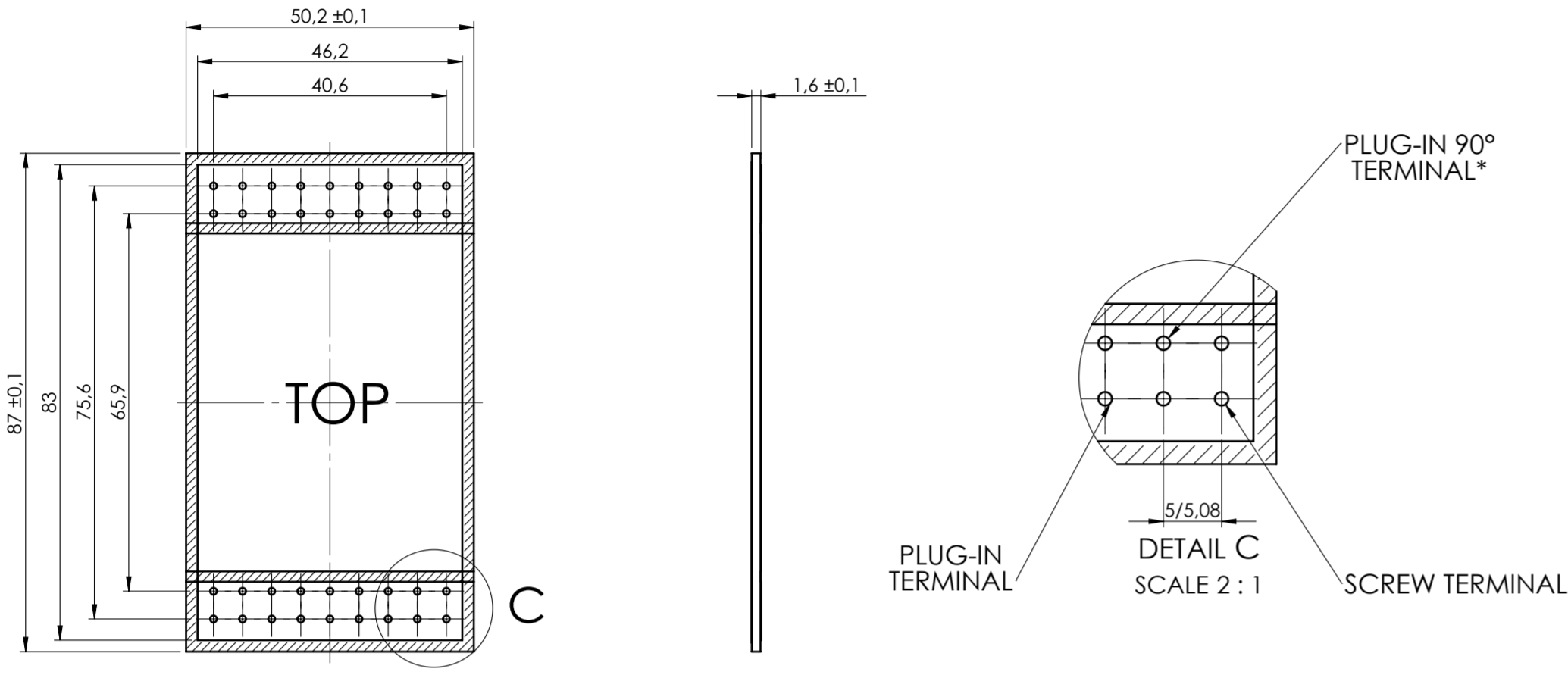


General information:
 - Workpiece zero point for mechanical processing
 - Minimum recommended radius for machining = R1.0 mm
 - Mounting rail like EN 60715: TH 35-7.5 or TH 35-15
 - Recommended PCB outline on www.italtronic.com

RIF.	Q.TY	DRAWING	DESCRIPTION
1	1	2_250_00079	HOOK FOR MODULBOX ONE
2	1	2_250_00179	BODY ENCLOSURE MODULBOX ONE 3MH68
3	1	2_250_00117	BASE MODULBOX ONE 3M

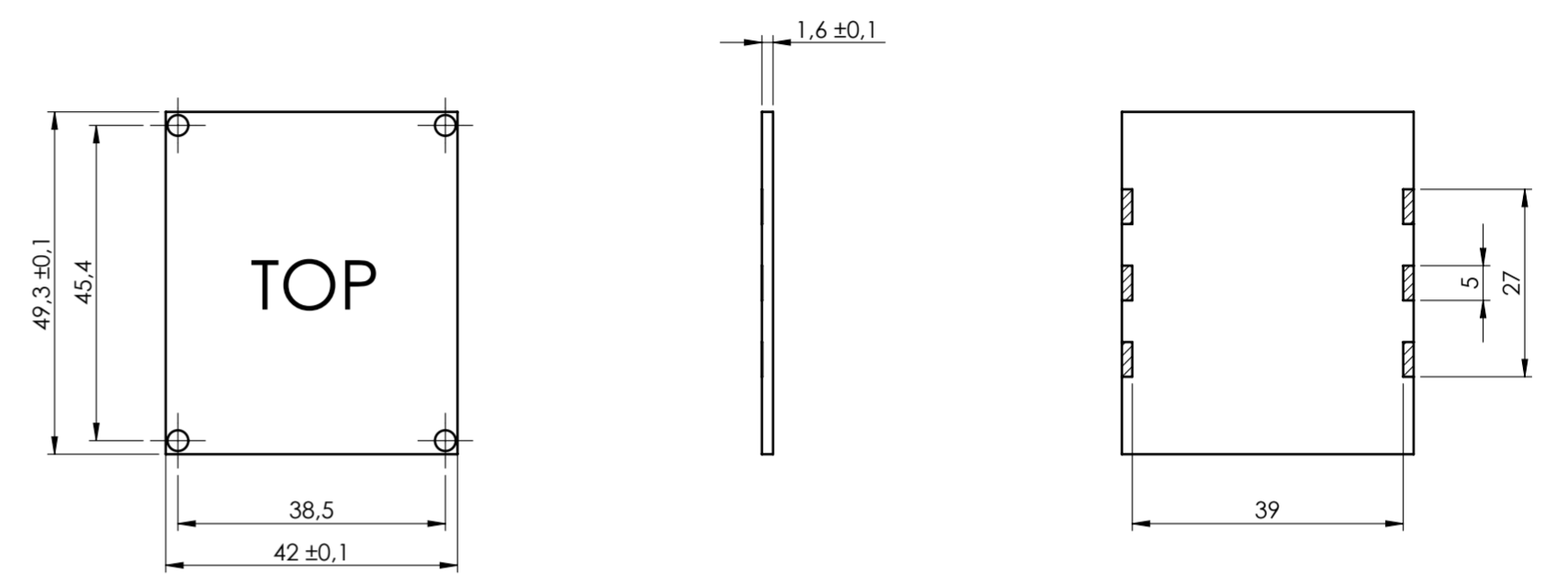
General Tolerance UNI EN 22768/1 Media (m)					Sheet:
from 0.5 to 3	from 3 to 6	from 6 to 30	from 30 to 120	from 120 to 400	1
± 0.1	± 0.1	± 0.2	± 0.3	± 0.5	
Scale:	IM:	Drawn:	Checked:	Date:	Material:
1:1	--	M.S.	R.N.	20/07/2023	Process:
Dimension in mm		Replaces the:		Derived from:	Weight:
		M-06596-00			gr
Description:					Cod. Mold:
KIT CONTENITORE MODULBOX ONE 3MH68					--
KIT ENCLOSURE MODULBOX ONE 3MH68					
Drawing nr.:					Rev.:
3_250_00150					00
italtronic.com					A2

Max height of the terminal:
Modulbox ONE: 20 mm

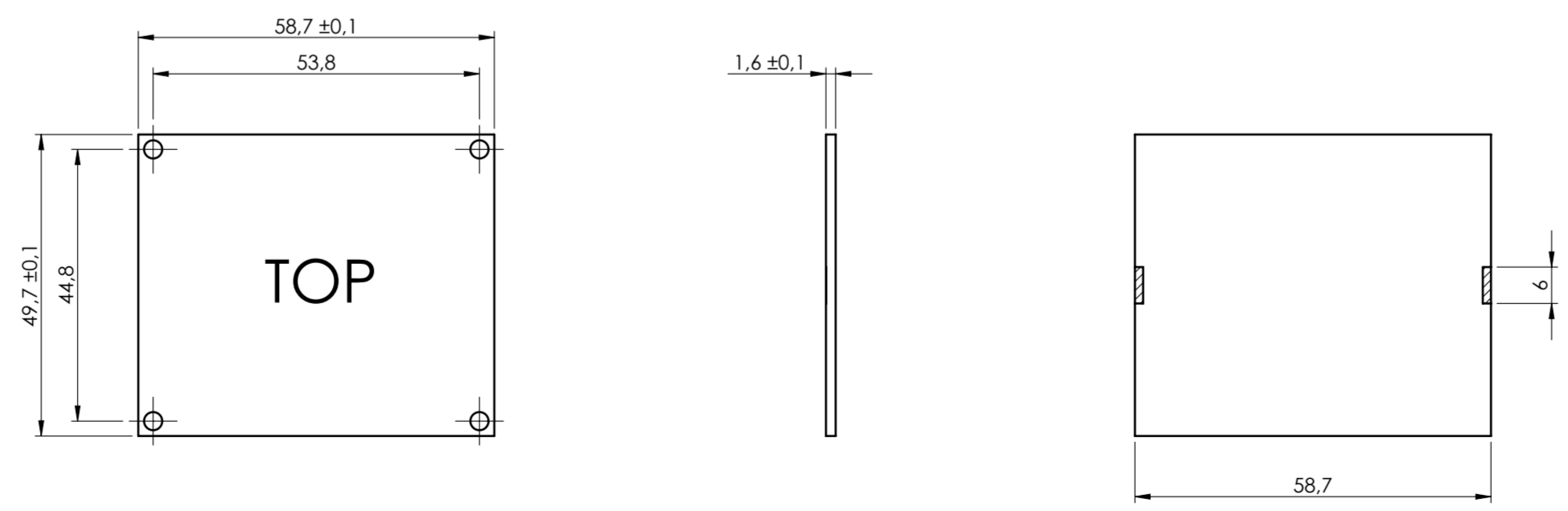


**To use the PLUG-IN terminals in Modulbox ONE use plug-in adapter P05000003E (5/5.08 pitch) and P05000004E (7.5/7.62 pitch)*

PCB C



PCB B



General Tolerance UNI EN 22768/1 Media (m)					Sheet:
from 0.5 to 3 ± 0.1	from 3 to 6 ± 0.1	from 6 to 30 ± 0.2	from 30 to 120 ± 0.3	from 120 to 400 ± 0.5	PCB
Scale: 1:1	IM: --	Drawn: M.S.	Checked: R.N.	Date: 20/07/2023	Process:
Dimension in mm		Replaces the: M-06596-00	Derived from:	Weight: gr	Cod. Mold: --
 enclosures for electronics italtronic.com		Description: KIT CONTENITORE MODULBOX ONE 3MH68 KIT ENCLOSURE MODULBOX ONE 3MH68 Drawing nr.: 3_250_00150			Rev.: 00 A2

NO COMPONENTS AREA