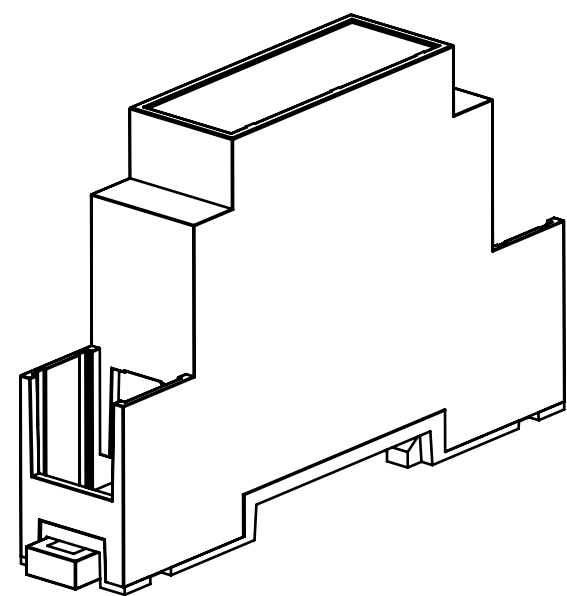
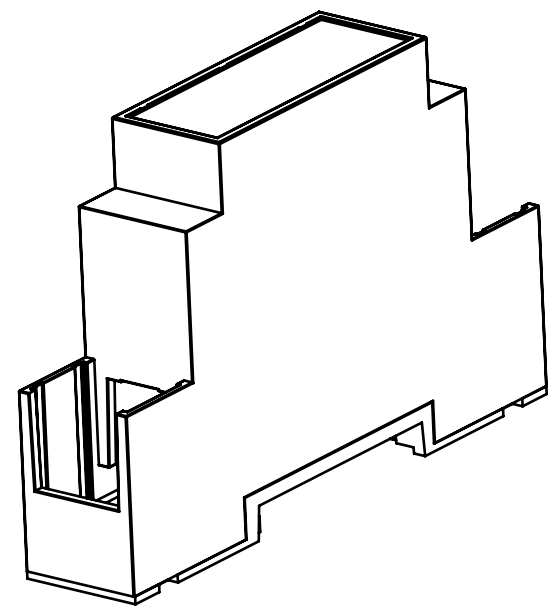
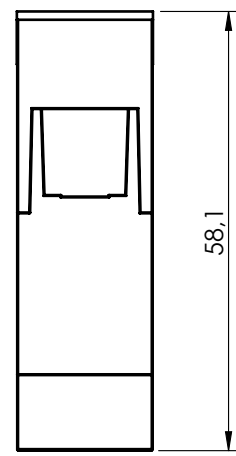
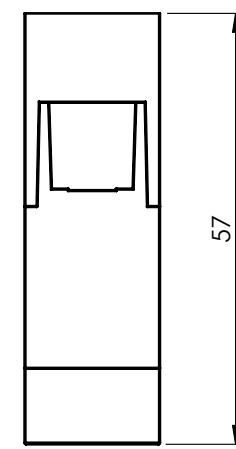
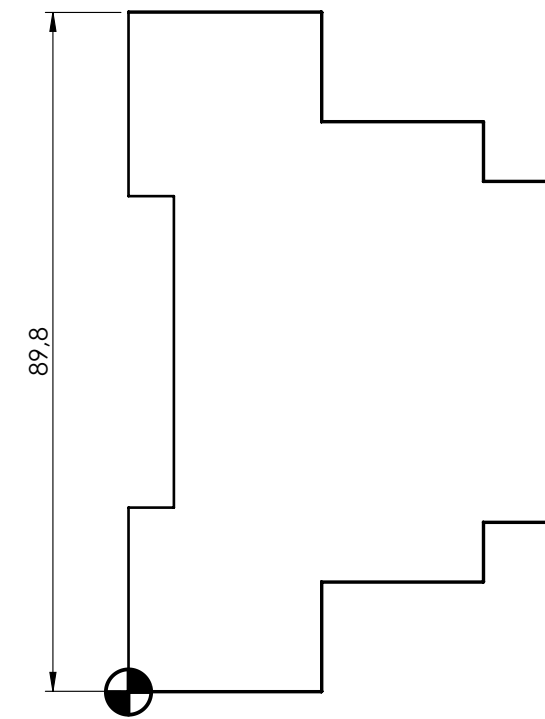
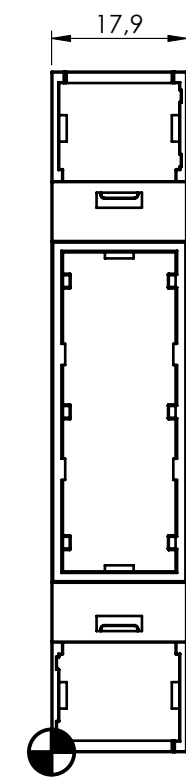


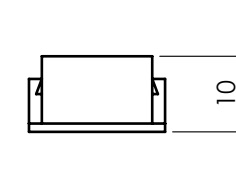
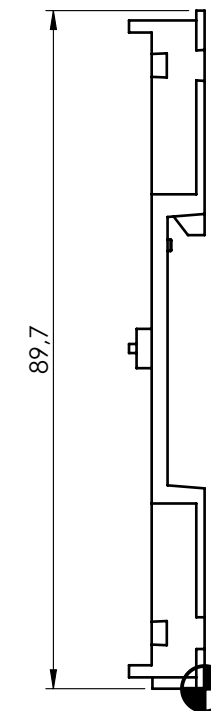
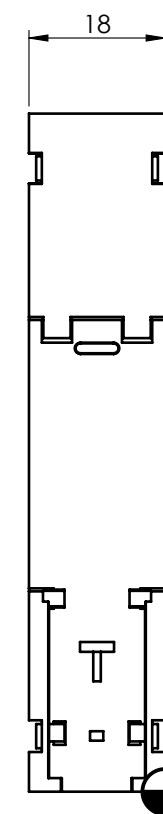
SECTION A-A



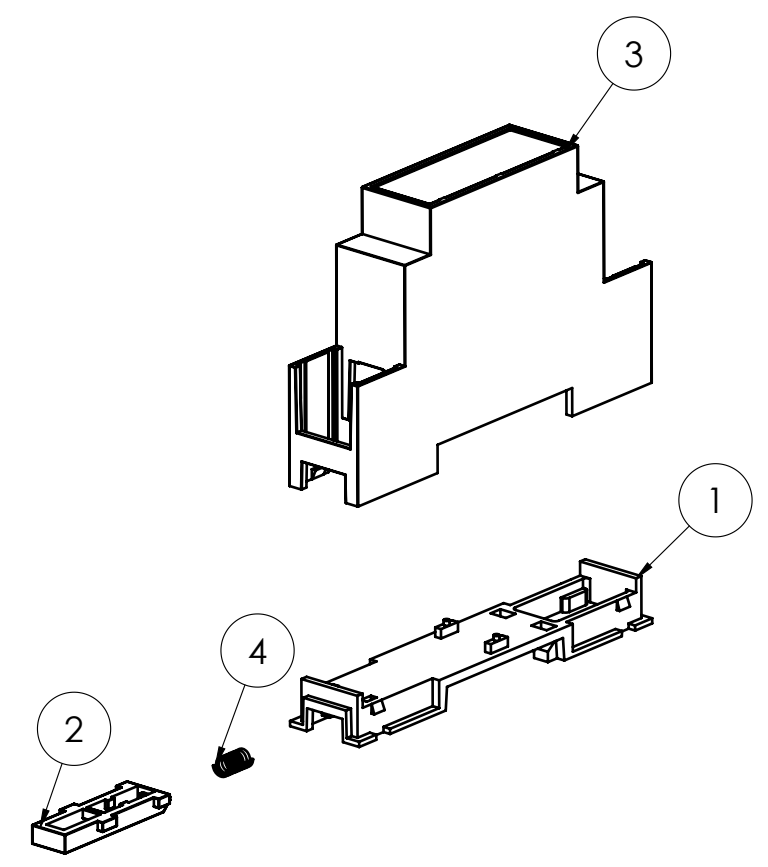
BODY ENCLOSURE



BASE

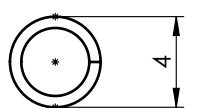
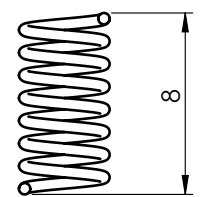


General information:  
 - Workpiece zero point for mechanical processing  
 - Minimum recommended radius for machining = R1.0 mm  
 - Mounting rail like EN 60715: TH 35-7.5 or TH 35-15  
 - Recommended PCB outline on [www.italtronic.com](http://www.italtronic.com)

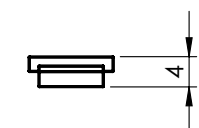
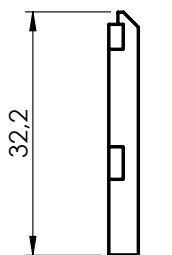
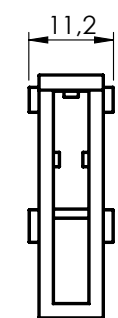


SPRING

3:1



HOOK



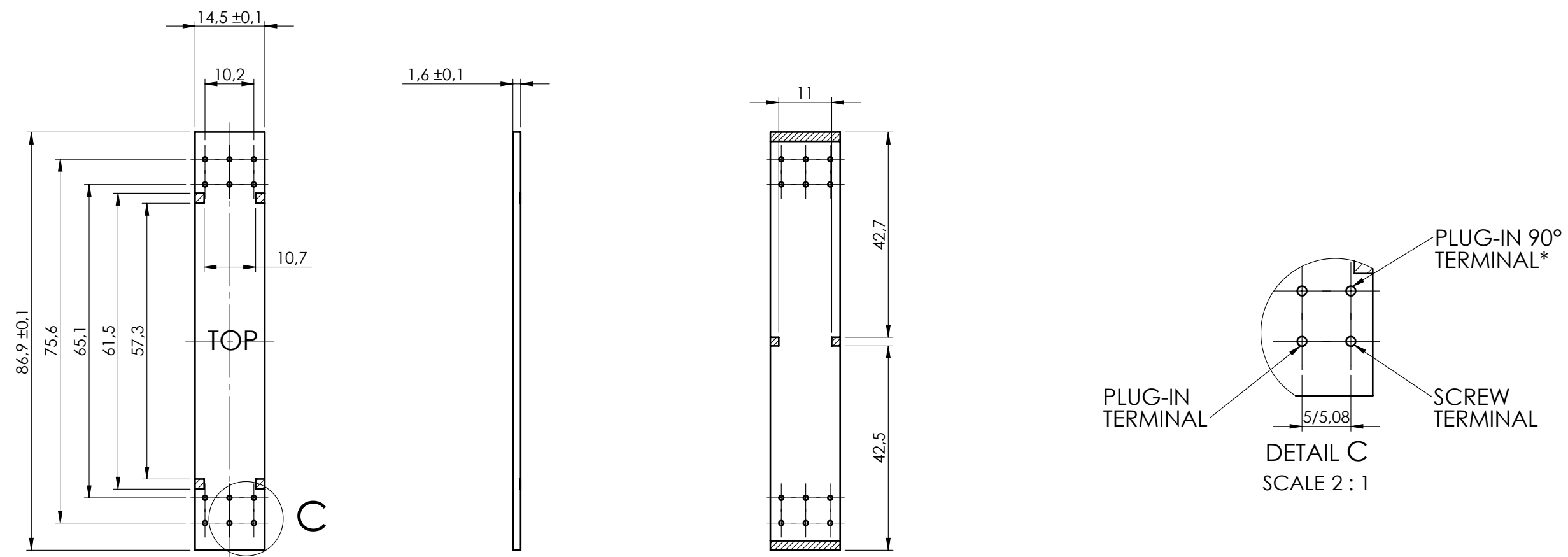
| RIF. | Q.TY | DRAWING     | DESCRIPTION                       |
|------|------|-------------|-----------------------------------|
| 1    | 1    | 2_250_00101 | BASE MODULBOX ONE 1M              |
| 2    | 1    | 2_250_03817 | HOOK MODULBOX 1M                  |
| 3    | 1    | 2_250_03819 | BODY ENCLOSURE MODULBOX ONE 1MC53 |
| 4    | 1    | 2_250_03820 | SPRING                            |

| General Tolerance UNI EN 22768/1 Media (m) |                      |                       |                         |                          | Sheet:   |
|--|----------------------|-----------------------|-------------------------|--------------------------|----------|
| from 0.5 to 3<br>± 0.1                     | from 3 to 6<br>± 0.1 | from 6 to 30<br>± 0.2 | from 30 to 120<br>± 0.3 | from 120 to 400<br>± 0.5 | 1        |
| Scale:                                     | Drawn:               | Checked:              | Date:                   | Material:                | Process: |
| 1:1  | M.S.                 | R.N.                  | 22/08/2023              |                          |          |
| Dimension in mm                            | Derived from:        | Weight:               | Cod. Mold:              |                          |          |
|  | --                   | gr                    | --                      |                          |          |


|                                    |  |  |  |
|------------------------------------|--|--|--|
|                                    |  | Description:<br>KIT CONTENITORE MODULBOX 1MC53<br>KIT ENCLOSURE MODULBOX 1MC53 |  |
| Drawing nr.:<br><b>3_250_00177</b> |  | Rev.:<br><b>00 A2</b>  |  |

# PCB A

Max height of the terminal:  
Modulbox ONE: 20 mm



*\*To use the PLUG-IN terminals in Modulbox ONE use plug-in adapter P05000003E (5/5.08 pitch) and P05000004E (7.5/7.62 pitch)*

| General Tolerance UNI EN 22768/1 Media (m)   |   |                       |  |                          | Sheet:         |
|--|---|-----------------------|--|--------------------------|----------------|
| from 0.5 to 3<br>± 0.1   | from 3 to 6<br>± 0.1  | from 6 to 30<br>± 0.2 | from 30 to 120<br>± 0.3  | from 120 to 400<br>± 0.5 | PCB            |
| Scale:   | Drawn:  | Checked:              | Date:  | Material:                | Process:       |
| 1:1  | M.S.  | R.N.                  | 22/08/2023   |                          |                |
| Dimension in mm  | The present drawing cannot be reproduced or communicated to third parties, even partially, without the authorization of Italtronic. Italtronic reserves the right to protect its copyrights according to the law. |                       | Derived from:  | Weight:                  | Cod. Mold:     |
|  |   |                       | --   | gr                       | --             |
| <br><b>italtronic</b><br>enclosures for electronics<br>italtronic.com |   |                       | Description:   |                          | Rev.:<br>00 A2 |
|  |   |                       | KIT CONTENITORE MODULBOX 1MC53<br>KIT ENCLOSURE MODULBOX 1MC53 |                          |                |
|  |   |                       | Drawing nr.:   |                          |                |
|  |   |                       | <b>3_250_00177</b>   |                          |                |

 NO COMPONENTS AREA