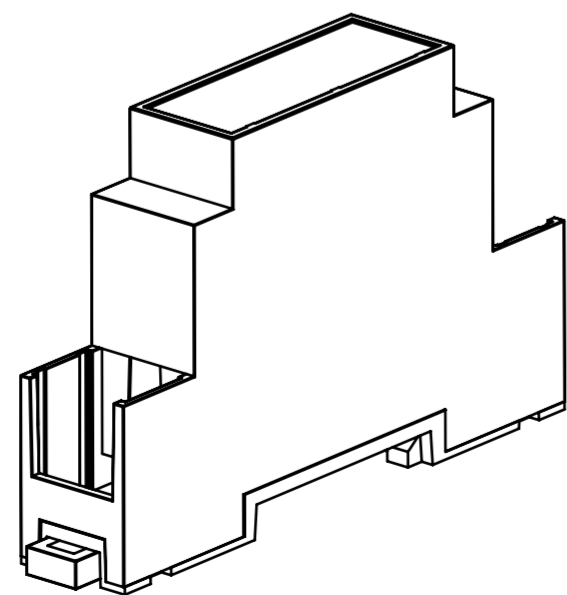
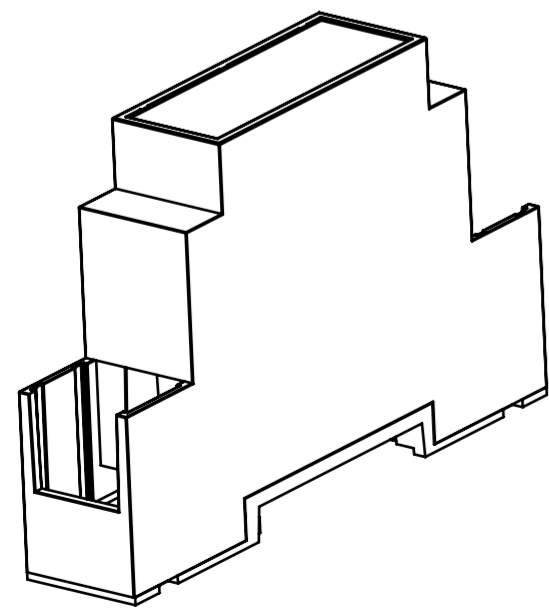
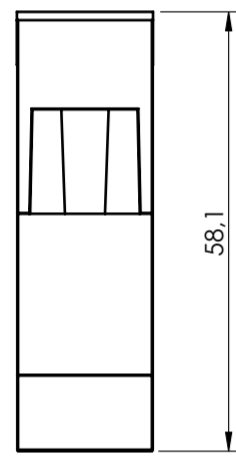
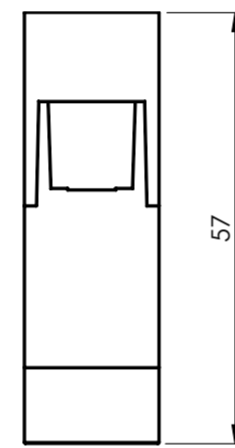
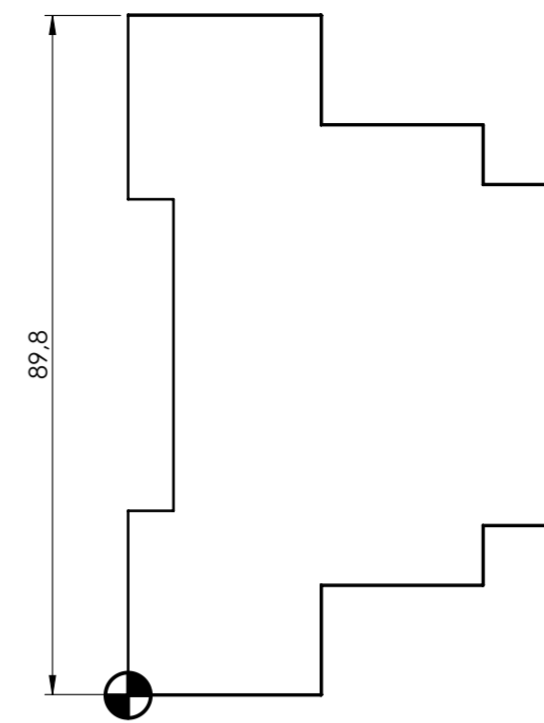
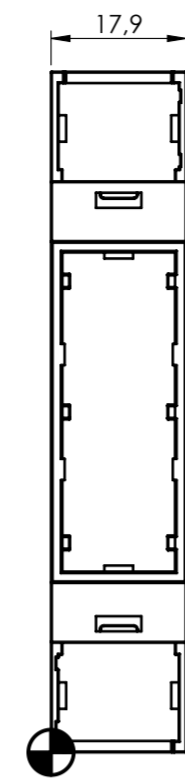


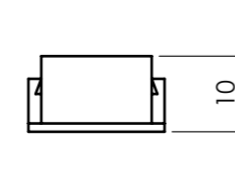
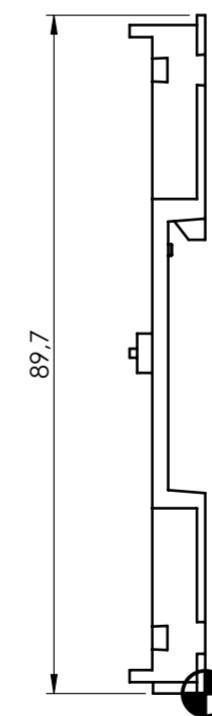
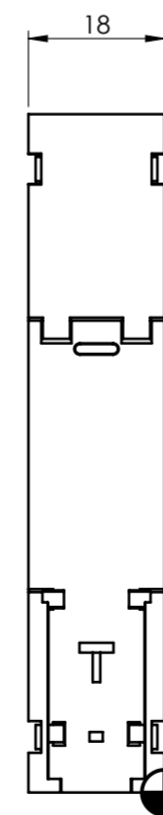
SECTION A-A



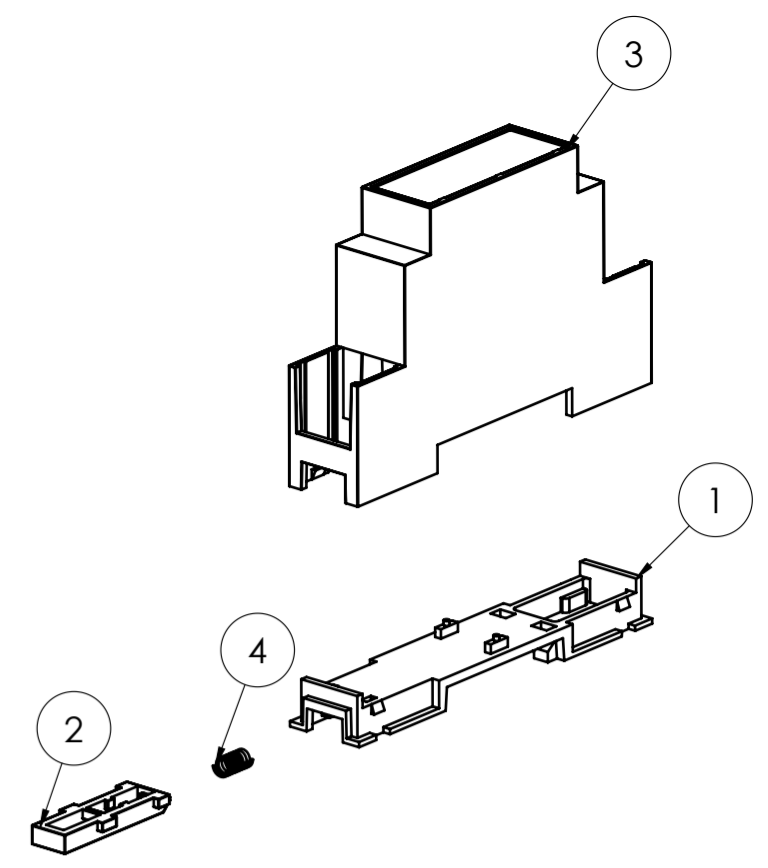
BODY ENCLOSURE



BASE

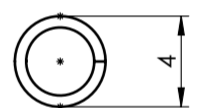
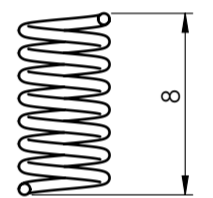


General information:
 - Workpiece zero point for mechanical processing
 - Minimum recommended radius for machining = R1.0 mm
 - Mounting rail like EN 60715: TH 35-7.5 or TH 35-15
 - Recommended PCB outline on www.italtronic.com

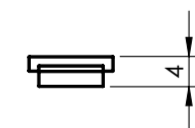
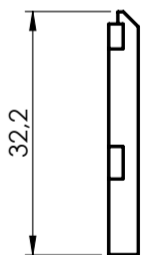
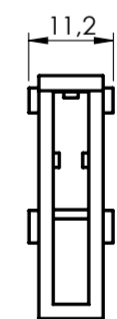


SPRING

3:1



HOOK



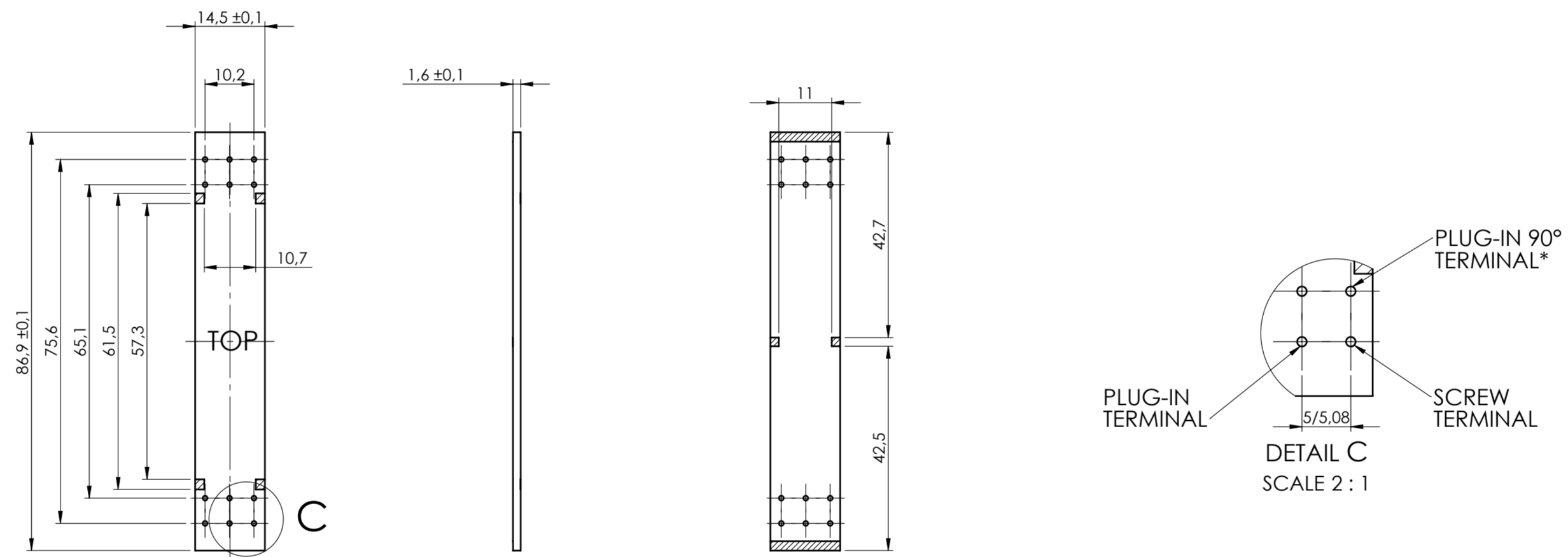
RIF.	Q.TY	DRAWING	DESCRIPTION
1	1	2_250_00101	BASE MODULBOX ONE 1M
2	1	2_250_03817	HOOK MODULBOX 1M
3	1	2_250_03819	BODY ENCLOSURE MODULBOX ONE 1MC53
4	1	2_250_03820	SPRING

General Tolerance UNI EN 22768/1 Media (m)					Sheet:
from 0.5 to 3 ± 0.1	from 3 to 6 ± 0.1	from 6 to 30 ± 0.2	from 30 to 120 ± 0.3	from 120 to 400 ± 0.5	1
Scale:	Drawn:	Checked:	Date:	Material:	Process:
1:1	M.S.	R.N.	22/08/2023		
Dimension in mm	Derived from:	Weight:	Cod. Mold:		
	--	gr	--		


		Description: KIT CONTENITORE MODULBOX 1MC53 KIT ENCLOSURE MODULBOX 1MC53	
Drawing nr.: 3_250_00177		Rev.: 00 A2	

PCB A

Max height of the terminal:
Modulbox ONE: 20 mm



**To use the PLUG-IN terminals in Modulbox ONE use plug-in adapter P05000003E (5/5.08 pitch) and P05000004E (7.5/7.62 pitch)*

General Tolerance UNI EN 22768/1 Media (m)					Sheet:
from 0.5 to 3 ± 0.1	from 3 to 6 ± 0.1	from 6 to 30 ± 0.2	from 30 to 120 ± 0.3	from 120 to 400 ± 0.5	PCB
Scale:	Drawn:	Checked:	Date:	Material:	Process:
1:1	M.S.	R.N.	22/08/2023		
Dimension in mm	The present drawing cannot be reproduced or communicated to third parties, even partially, without the authorization of Italtronic. Italtronic reserves the right to protect its own rights according to the law.		Derived from:	Weight:	Cod. Mold:
			--	gr	--
 italtronic enclosures for electronics italtronic.com			Description:		Rev.: 00 A2
			KIT CONTENITORE MODULBOX 1MC53 KIT ENCLOSURE MODULBOX 1MC53		
			Drawing nr.:		
			3_250_00177		

 NO COMPONENTS AREA